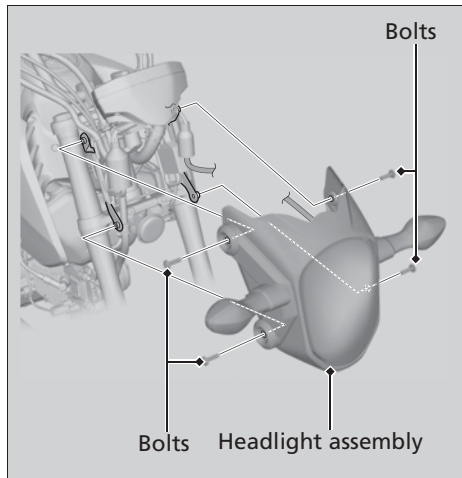


Headlight Bulb



1. Remove the bolts and headlight assembly.

2. Pull off the connector without turning.
3. Remove the dust cover.
4. Press the pin down and pull out the bulb without turning it.
5. Install a new bulb and parts in the reverse order of removal.

Do not touch the glass surface with your fingers. If you touch the bulb with your bare hands, clean it with a cloth moistened with isopropyl (rubbing) alcohol.

