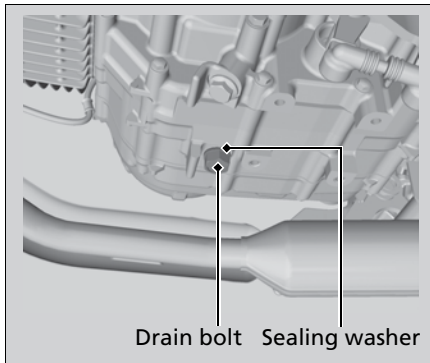


## Engine Oil ► Changing Engine Oil

3. Place a drain pan under the drain bolt.
4. Remove the oil fill cap/dipstick, drain bolt, and sealing washer to drain the oil.  
► Discard the oil at an approved recycling center.



5. Install a new sealing washer onto the drain bolt.
6. Install the drain bolt and tighten.

**Torque:** 18 lbf·ft (24 N·m, 2.4 kgf·m).

7. Fill the crankcase with the recommended oil (► P. 45) and install the oil fill cap/dipstick.

### Required oil

#### When changing oil:

1.0 US qt (0.9 liters)

8. Check the oil level. ► P. 54
9. Check that there are no oil leaks.