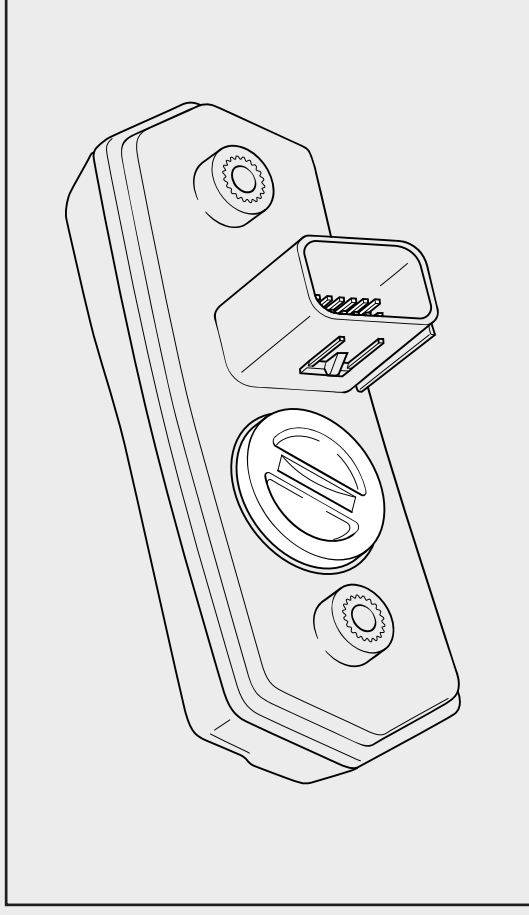


Instruments *(continued)*

- 3 Press the (MODE) + (SET) buttons.
 - ▲ Press and hold more than 10 seconds to save the new values and exit the clock setting mode.
 - ▲ If no button is pressed for more than 10 seconds, the clock setting mode will end without saving the changes.

4. Coin battery

Odometer/Speedometer is equipped with a coin battery for keeping time when motorcycle is off.



Coin size: CR2032