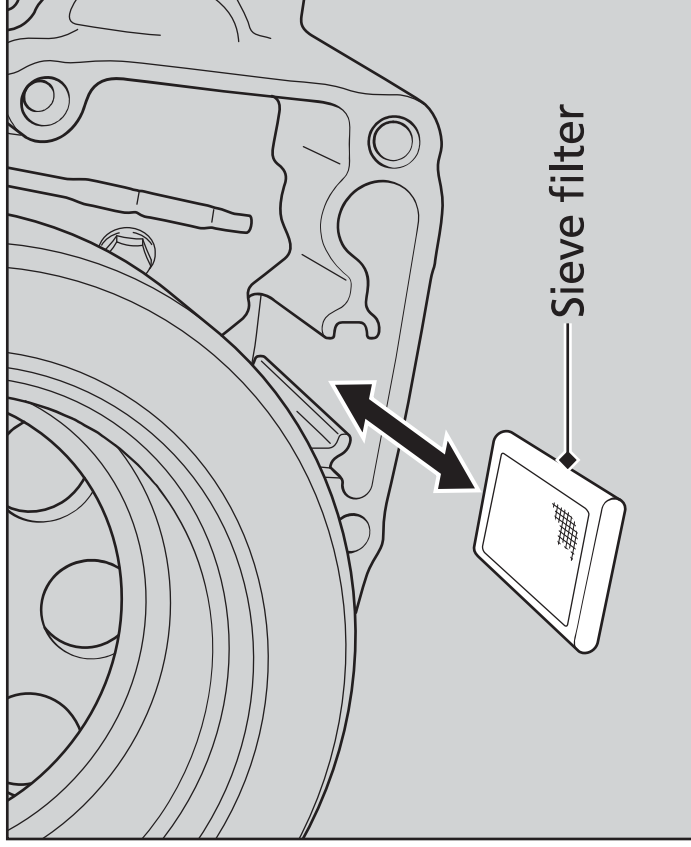


18. Remove the sieve filter, clean it and reinstall it.



19. Install a new O-ring in the crankcase for the left crankcase cover.

20. Assemble the left crankcase cover on the engine crankcase and fasten it with its corresponding bolts.

- 21.** Install the drive sprocket cover.
- 22.** Install a new sealing washer on the drain bolt. Tighten the drain bolt.

Torque: 22 N•m (2,2 kgf•m).

- 23.** Fill the engine crankcase with the recommended oil (2 P. 43) and replace the oil filler cap.
- 24.** Check the oil level. 2 P. 55
- 25.** Start the motorcycle and make sure there are no oil leaks.
- 26.** Install the engine cover plate.