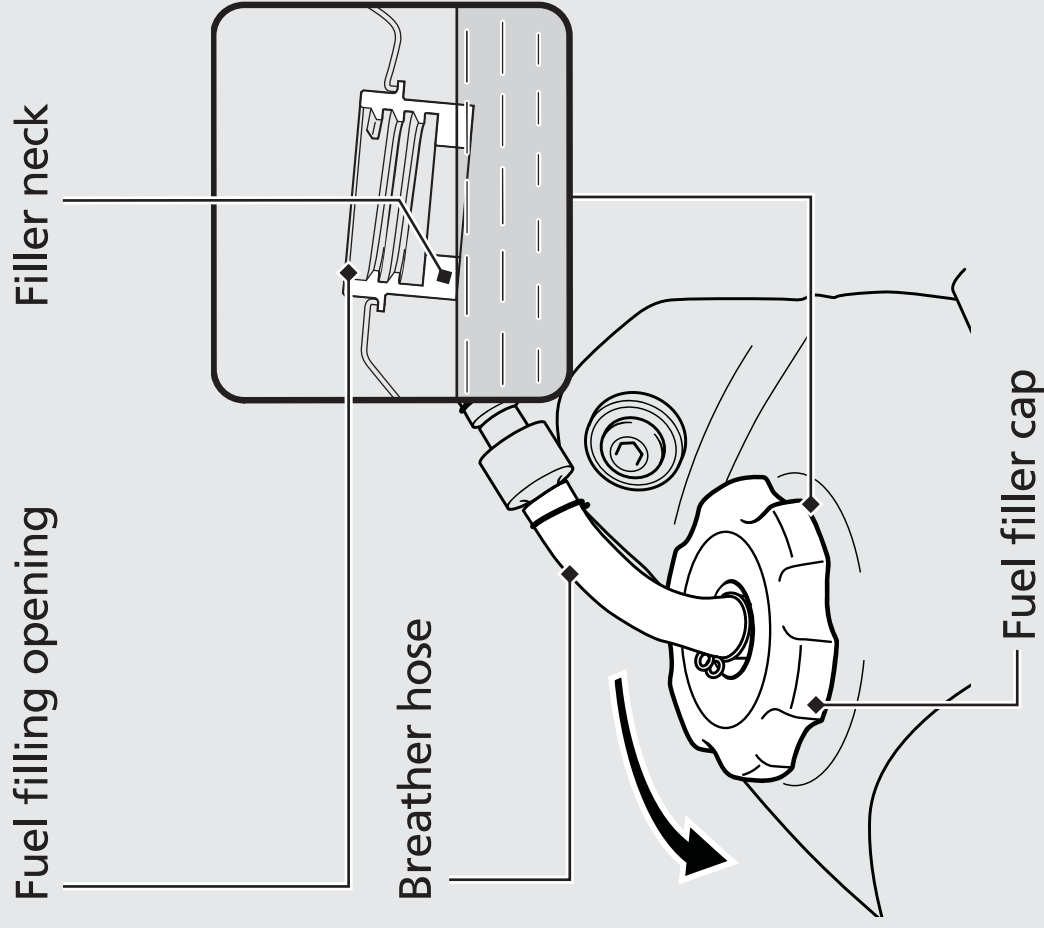


Refuelling



I Fuel

Do not fill with fuel above the filler neck.

Type of fuel: Only unleaded petrol

Octane number: Your motorcycle has been designed to use fuel with an octane number (RON) of at least 95.

Tank capacity: 4.4 litres
(1.16 US gal, 0.97 Imp. gal)