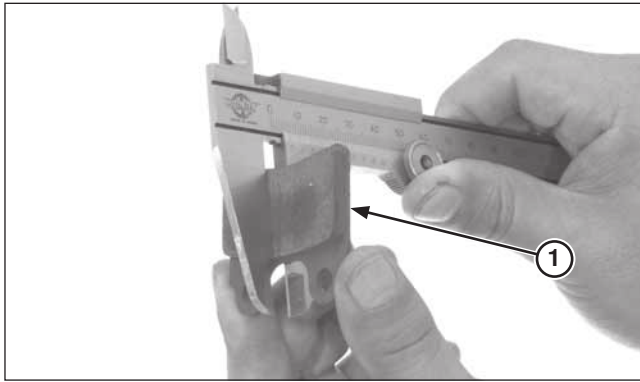


Service and maintenance



(1) BRAKE PAD

Brake Pad Wear

Measure the brake pad thickness.

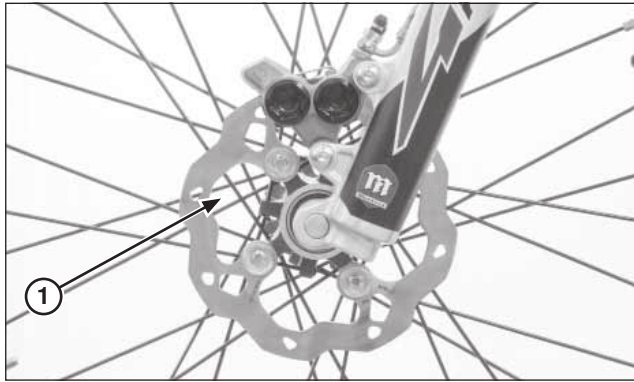
Front brake pad:

Minimum thickness (subtracting the metal support):
0.5 mm (0.02 in)

Rear brake pad:

Minimum thickness (subtracting the metal support):
1.0 mm (0.04 in)

If either pad is worn, both pads must be replaced.



(1) BRAKE DISC

Brake System

Brake Discs

Measure the rear brake disc runout with a dial gauge.

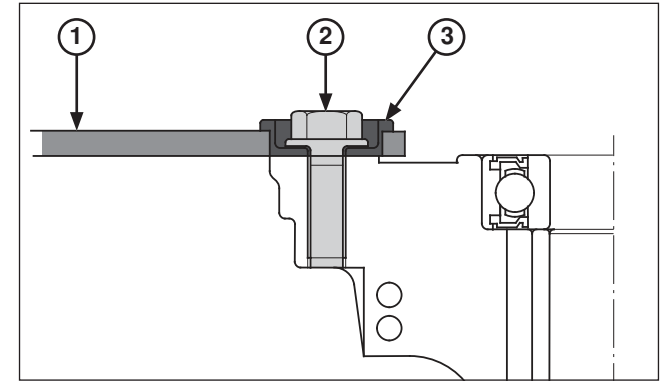
Service limit: 0.15 mm (0.006 in)

Replace the brake disc if the runout exceeds the service limit.

Measure the brake disc thickness.

Service limit: Front: 2.9 mm (0.11 in)
Rear: 3.0 mm (0.12 in)

Replace the brake disc if necessary.
Refer to pages 4-1 and 4-14 for removal.



(1) BRAKE DISC
(2) DISC BOLT
(3) COLLAR

The front brake is floating type disc.

Replace the disc and disc bolts if the play in the rotating direction exceeds 2.0 mm (0.08 in), as measured at its periphery. The standard play is from 0.3 – 1.0 mm (0.01 – 0.04 in).

Apply a locking agent to the threads of the brake disc bolts before installation.

Torque:

Front: 18 - 20 N·m (1.8 - 2 kgf·m, 13-15 lbf·ft)
Rear: 16 - 18 N·m (1.6 - 1.8 kgf·m, 11-13 lbf·ft)

On the front brake, replace the collar with new ones if the disc starts to wobble right and left.