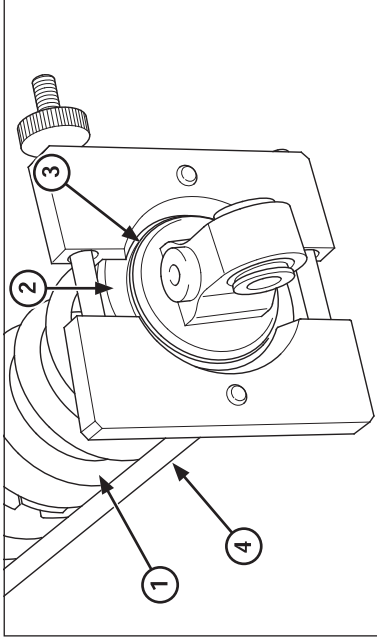


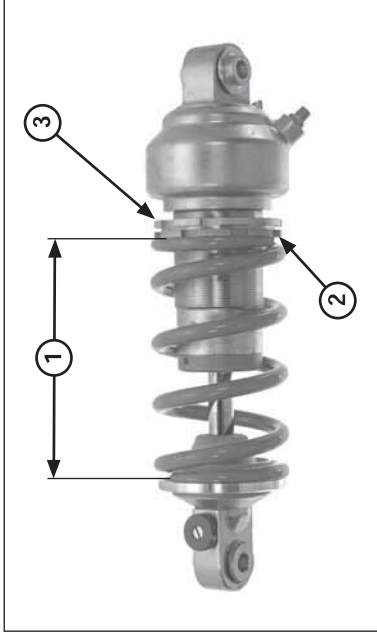
## Frame servicing



- (1) SPRING SEAT
- (2) SPRING SEAT
- (3) STOPPER RING
- (4) COMPRESSOR

### Assembly

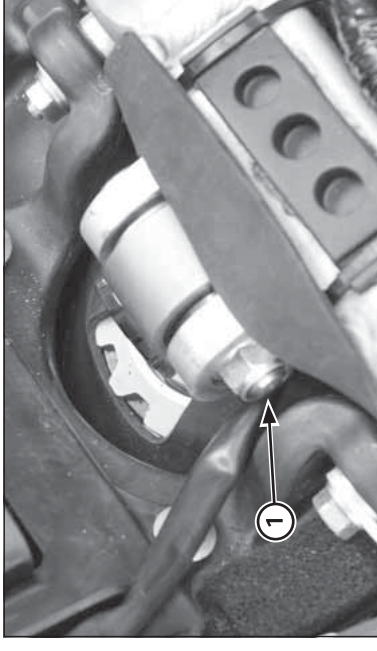
Assembly is in the reverse order of disassembly.



- (1) PRE-LOAD LENGTH
- (2) ADJUSTER
- (3) LOCK NUT

Adjust the spring pre-load length (page 2-4).  
Hold the spring adjuster and tighten the lock nut to the specified torque.

**Torque: 49 N•m (5.0 kgf•m)**



- (1) UPPER MOUNTING BOLT/NUT

### Installation

Set the shock absorber into the frame and install the upper mounting bolt from the left side.  
Install the nut.