

### Battery Goes Dead

Charge the battery using a motorcycle battery charger.

Remove the battery from the motorcycle before charging.

Do not use an automobile-type battery charger, as these can overheat a motorcycle battery and cause permanent damage.

If the battery does not recover after recharging, contact your dealer.

#### NOTICE

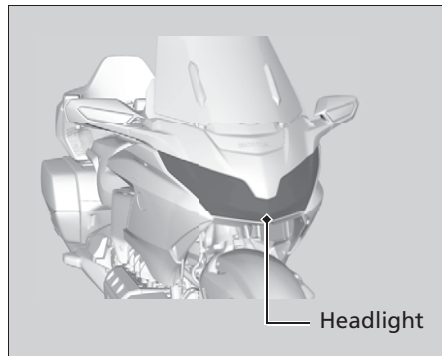
Jump starting using an automobile battery is not recommended, as this can damage your motorcycle's electrical system.

Bump starting is also not recommended.

### Burned-out Light Bulb

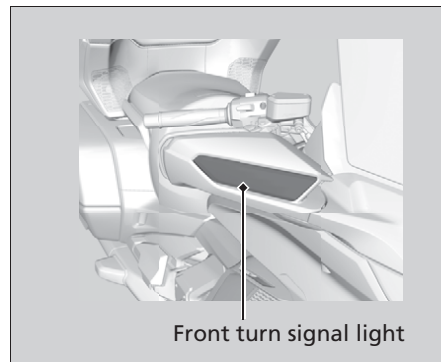
All light bulbs on the motorcycle are LEDs. If there is an LED which is not turned on, see your dealer for servicing.

#### Headlight



The headlight uses several LEDs. If there is an LED which is not turned on, see your dealer for servicing.

### Front Turn Signal Light



The front turn signal lights use several LEDs. If there is an LED which is not turned on, see your dealer for servicing.