

Weather Information

Weather Band (WB)

(Models not equipped with Navigation System)

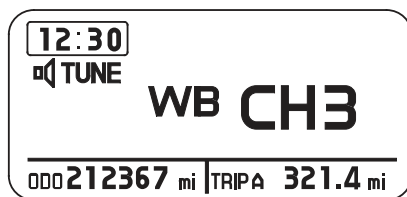
To listen to the Weather Band — push the WB button.

To cancel the Weather Band — push another button (AM, FM or AUX).

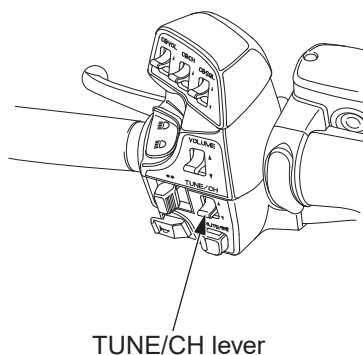
To select channels 1 – 6 — push the desired preset button.

To select channel 7 — push the TUNE/CH lever up or down until channel 7 is selected.

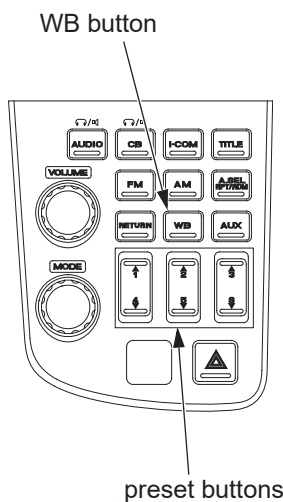
(The TUNE/CH lever may be used to select any of the 7 channels. The lever must be used to select channel 7.)



LEFT HANDLEBAR



TUNE/CH lever



WB button

preset buttons