

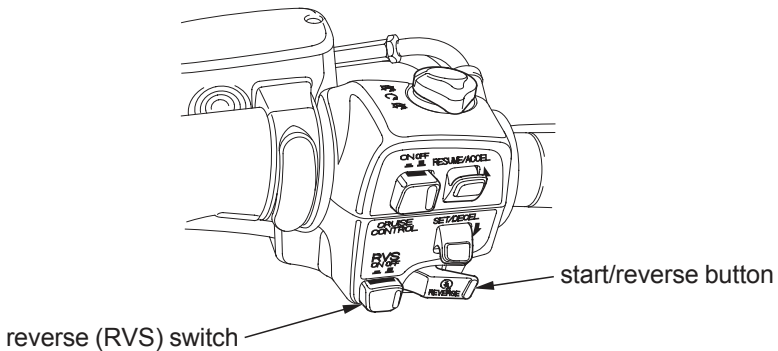
Riding in Reverse

Your motorcycle's reverse system allows you to back out of a parking position at slow speed.

Make sure there are no obstacles or people in the area. Avoid steep or uneven surfaces. Carrying a passenger while reversing is not recommended because it makes balance and control more difficult to maintain.

1. Sit astride the motorcycle, in your normal riding position, with both feet on the ground.
2. Make sure the transmission is in neutral (neutral indicator is ON) and the side stand is up.
3. Start the engine. (Make sure the RVS switch is OFF.)
4. Push the RVS switch to ON, then make sure the reverse system indicator comes on.

RIGHT HANDLEBAR



5. When you are ready to back up, push the start/reverse button and hold it in. The motorcycle will move in reverse as long as you hold the button in. To prevent battery discharge, do not push the start/reverse button more than a minute.
6. Guide the motorcycle backward cautiously, using your legs to maintain balance. Use extreme care to maintain balance while reversing on loose surfaces (sand, dirt, gravel) or grease-covered pavement.