

Starting the Engine



Start your engine using the following procedure, regardless of whether the engine is cold or warm.

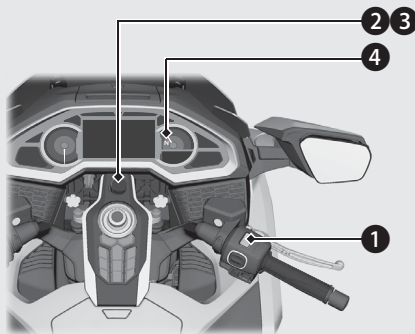
This motorcycle is equipped with a Honda SMART Key system. Always keep Honda SMART Key on you when you ride the motorcycle. [➔ P.56](#)

NOTICE

- If the starter operates but the engine does not start, turn the ignition switch to OFF and wait 10 seconds before trying to start the engine again to recover battery voltage.
- Extended fast idling and revving the engine can damage the engine, and the exhaust system.
- Snapping the throttle or fast idling for more than about 5 minutes may cause exhaust pipe discoloration.
- The engine will not start if the throttle is fully open.

GL1800/B

- 1 Make sure the engine stop switch is in the  (Run) position.
- 2 Unlock the steering. [➔ P.55](#)
- 3 Turn the ignition switch to ON. [➔ P.49](#)
- 4 Shift the transmission to Neutral ( (N) indicator comes on). Alternatively, pull in the clutch lever to start your motorcycle with the transmission in gear so long as the side stand is raised.



- 5 Press the start button with the throttle completely closed.

