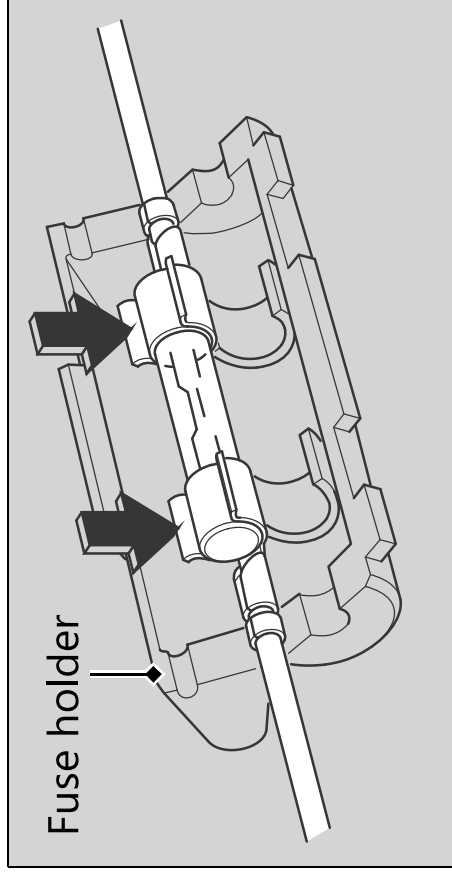


Electrical Trouble ► Blown Fuse



Do not pry the clips open to get a fuse out; you could bend them and cause poor contact with the new fuse. A loose fuse could cause damage to the electrical system and even start a fire.

NOTICE

If a fuse fails repeatedly, you likely have an electrical problem. Have your motorcycle inspected by your dealer.

5. Slide the clips onto the ends of new main fuse and push them back into the fuse holder. The spare main fuse is attached to the fuse holder.
 - Always replace a blown fuse with a spare of the same rating.
6. Close the fuse holder and install it to the battery holder.
7. Install the right side cover.