

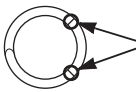
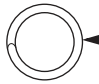
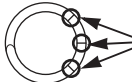


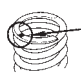
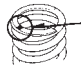

Optional Parts List

These parts and tools may be ordered from your authorized dealer.

FRAME	Remarks
Driven sprocket Standard	< >: Drive chain links 51 Teeth, Aluminum <114>
Drive chain size/link	RK520EXU/120LJFZ
Handlebar lower holder Standard	0.1 in (3 mm) offset
Optional	no offset

TOOLS	Remarks
Pin spanner A 	To adjust spring preload. (two spanners required)
Workstand 	For maintenance
Air gauge	For checking tire air pressure

FRAME	Remarks
Fork spring Standard (Medium)	28.6 lbf/in (5.0 N/mm)  2 scribe marks or no mark (factory products)
Optional Soft	27.4 lbf/in (4.8 N/mm)  No mark
Stiff	29.7 lbf/in (5.2 N/mm)  3 scribe marks

FRAME	Remarks
Shock spring Standard (Medium)	296.9 lbf/in (52 N/mm)  No mark (factory products) Red paint (aftermarket parts)
Optional Soft	285.5 lbf/in (50 N/mm)  Pink paint
Stiff	308.3 lbf/in (54 N/mm)  White paint

The standard fork spring and shock spring mounted on the motorcycle when it leaves the factory are not marked. Before replacing the springs, be sure to mark them so they can be distinguished other optional springs.