

Piston/Piston Pin/Piston Ring Inspection

We recommend you consult an official Honda Service Manual or your dealer for correct Service Limit measurements.

Piston Ring Installation

1. Remove the carbon deposits from the piston head and piston ring grooves.

NOTICE

Do not damage the piston when removing the carbon deposit.

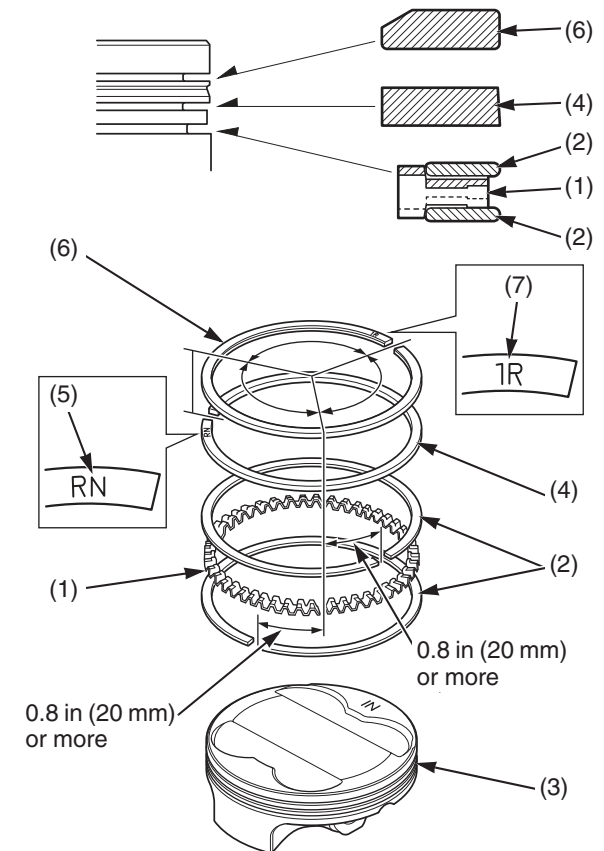
2. Apply engine oil to each piston ring whole surface.
3. Install the spacer (1) first, then install the side rails (2) to the piston (3).
4. Install the second ring (4) to the piston with "RN" mark (5) side facing up.
5. Install the top ring (6) to the piston with "1R" mark (7) side facing up.

NOTICE

Do not damage the piston ring by spreading the ends too far.

Do not damage the piston during piston ring installation.

6. After installing the piston rings they should rotate freely, without sticking. Space the ring end gaps 120 degrees apart between top ring, second ring and spacer. Space each ring end gap 0.8 in (20 mm) or more apart between upper side rail, spacer and lower side rail as shown.



- (1) spacer
- (2) side rails
- (3) piston
- (4) second ring

- (5) "RN" mark
- (6) top ring
- (7) "1R" mark