

Refer to *Important Safety Precautions* on page 31.

The air cleaner uses polyurethane inner and outer pieces which can't be separated.

A dirty air cleaner will reduce engine power.

Proper air cleaner maintenance is very important for all motorcycle. A dirty, water-soaked, worn-out, or defective air cleaner will allow dirt, dust, mud, and other impurities to pass into the engine.

Service the air cleaner more frequently if you ride in unusually wet or dusty areas. Your dealer can help you determine the correct service interval for your riding conditions.

Your CRF's air cleaner has very specific performance requirements. Use a new Honda Genuine air cleaner specified for your model or an air cleaner of equal quality.

NOTICE

Using the wrong air cleaner may result in premature engine wear.

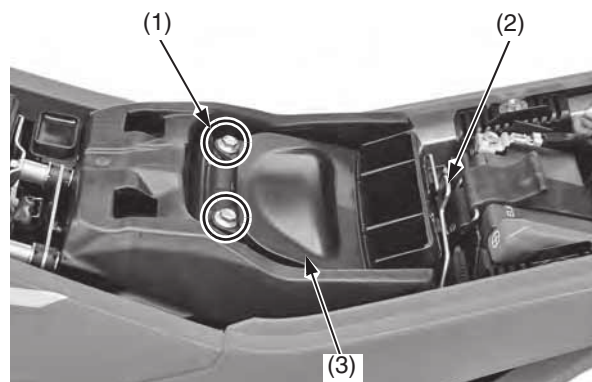
Proper air cleaner maintenance can prevent premature engine wear or damage, expensive repairs, low engine power, poor gas mileage, and spark plug fouling.

NOTICE

Improper or lack of proper air cleaner maintenance can cause poor performance and premature engine wear.

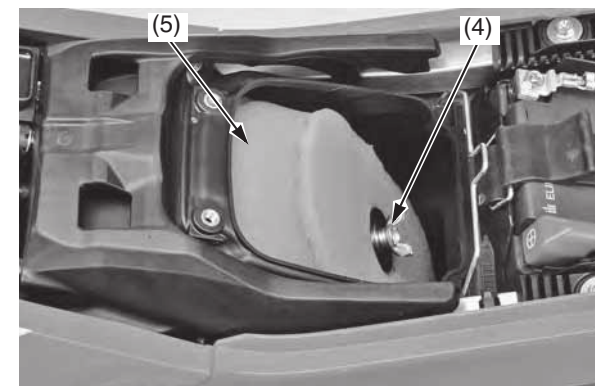
Cleaning

1. Remove the seat (page 43).
2. Remove the air cleaner lid bolts(1). Unhook the retainer (2) and remove the air cleaner lid (3).



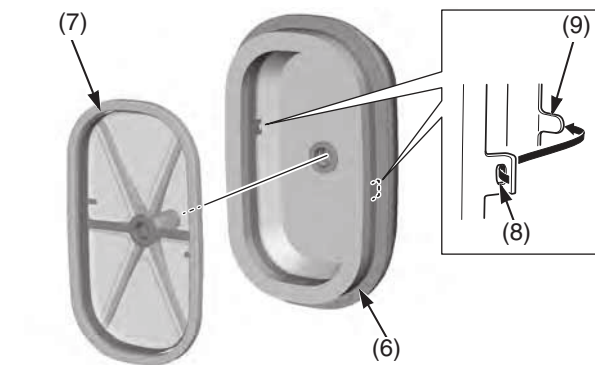
- (1) bolts
- (2) retainer
- (3) air cleaner lid

3. Remove the air cleaner retaining bolt (4) and air cleaner assembly (5).



- (4) air cleaner retaining bolt
- (5) air cleaner assembly

4. Remove the air cleaner element (6) from the air cleaner holder (7) by releasing the hole (8) of the air cleaner element from the holder tab (9).



- (6) air cleaner element
- (7) air cleaner holder
- (8) hole
- (9) holder tab

(cont'd)