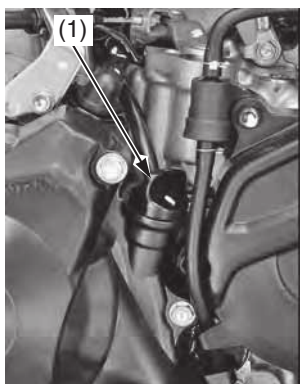


Engine Oil

Checking & Adding Oil

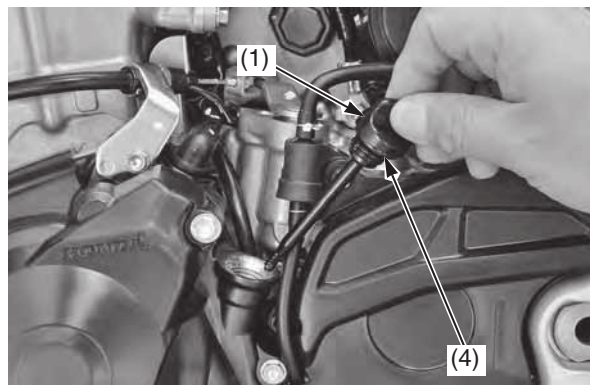
1. Run the engine at idle for 3 minutes, then shut it off.
2. Wait 3 minutes after shutting off the engine to allow the oil to properly distribute itself in the engine.
3. Support the CRF in an upright position on a level surface.
4. Remove the engine oil fill cap/dipstick (1) from the left crankcase cover, wipe it clean, and insert it without screwing in. Remove the oil fill cap/dipstick.
5. Check that the oil level is between the upper (2) and lower (3) level marks on the engine oil fill cap/dipstick.
 - If the oil is at or near the upper level mark, you do not have to add oil.
 - If the oil is below or near the lower level mark, add the recommended oil until it reaches the upper level mark. (Do not overfill.)Reinstall the engine oil fill cap/dipstick. Repeat steps 1 – 5.



(1) engine oil fill cap/dipstick
(2) upper level mark
(3) lower level mark



6. Check that the O-ring (4) is in good condition and replace it if necessary.
7. Reinstall the engine oil fill cap/dipstick (1).

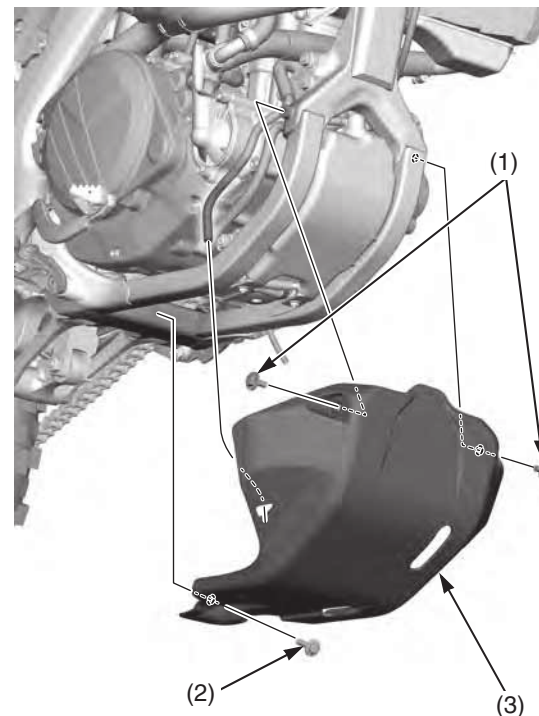


(1) engine oil fill cap/dipstick
(4) O-ring

8. Check for oil leaks.

Changing Engine Oil & Filter

1. Remove the engine guard A bolts/washers (1), B bolt/washer (2) and engine guard (3).



(1) engine guard A bolts/washers
(2) engine guard B bolt/washer
(3) engine guard

2. Run the engine at idle for 3 minutes, then shut it off.
3. Support the CRF in an upright position on a level surface.
4. Remove the engine oil fill cap/dipstick (4) from the left crankcase cover.