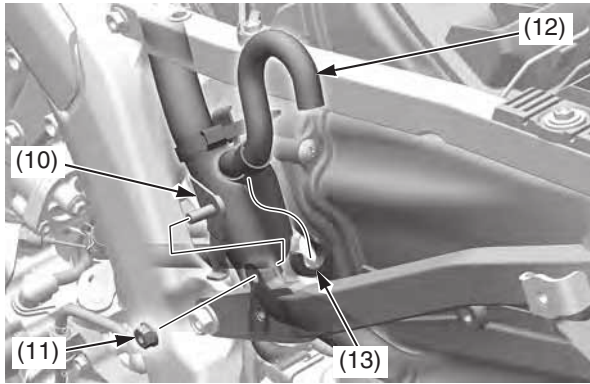


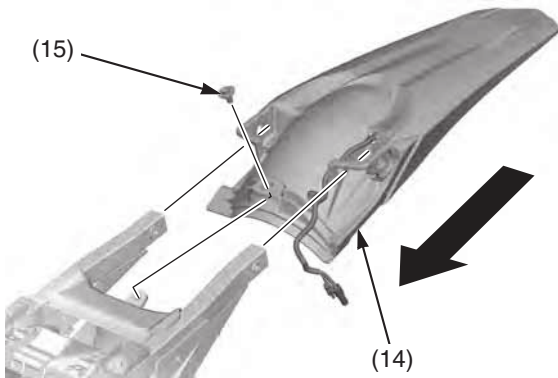
Subframe

5. Install the wire harness guide (10) to the subframe, then install and tighten the flange nut (11). Route the canister air tube (12) properly, then install it to the air cleaner housing boss (13).



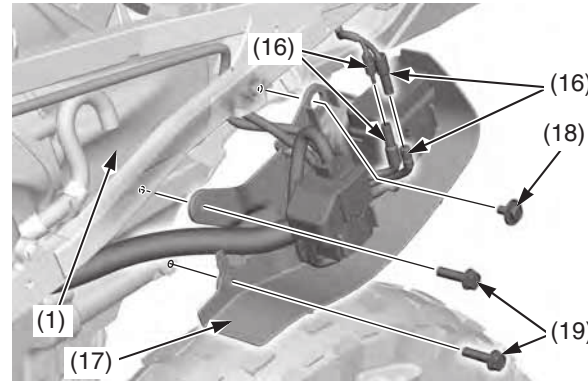
(10) harness guide
(11) flange nut
(12) canister air tube
(13) boss

6. Install the rear fender (14), then tighten the rear fender mounting bolt (15) to the specified torque.
7 lbf-ft (10 N·m, 1.0 kgf·m)



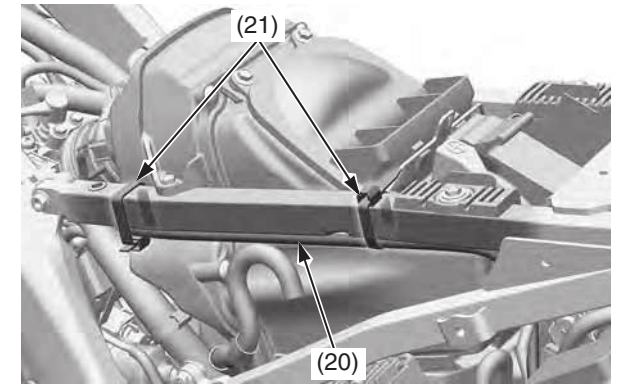
(14) rear fender
(15) rear fender mounting bolt

7. Connect the taillight connectors (16). Install the fuse box assembly (17) to the air cleaner housing (1). Install the fuse box assembly mounting bolt/washer (18). Install the regulator/rectifier mounting bolts (19). Tighten the regulator/rectifier mounting bolts and fuse box assembly mounting bolt/washer securely.



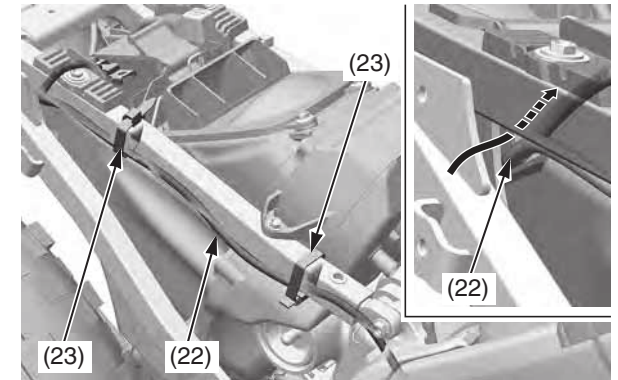
(1) air cleaner housing
(16) taillight connectors
(17) fuse box assembly
(18) fuse box assembly mounting bolt/washer
(19) regulator/rectifier mounting bolts

8. Route the positive (+) battery cable (20) properly, secure it with the positive (+) battery cable bands (21).



(20) positive (+) battery cable
(21) cable bands

9. Route the negative (-) battery cable (22) properly, secure it with negative (-) battery cable bands (23).



(22) negative (-) battery cable
(23) cable bands