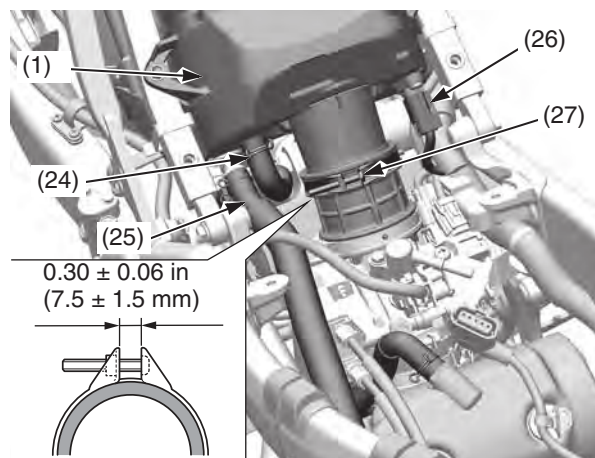


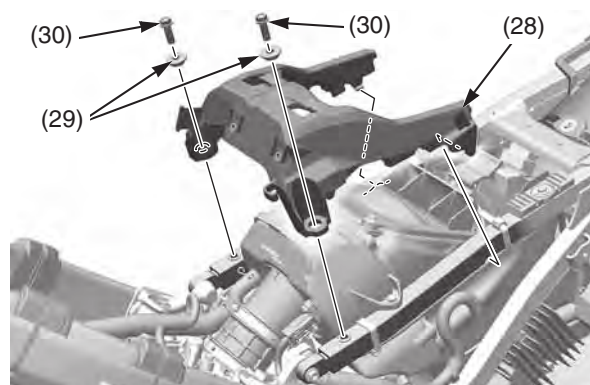
10. Connect the crankcase breather tube (24) and air injection air tube (25) to the air cleaner housing (1). Connect the IAT sensor connector (26).

Tighten the air cleaner connecting tube clamp screw (27) so the clamp ends is  $0.30 \pm 0.06$  in ( $7.5 \pm 1.5$  mm).



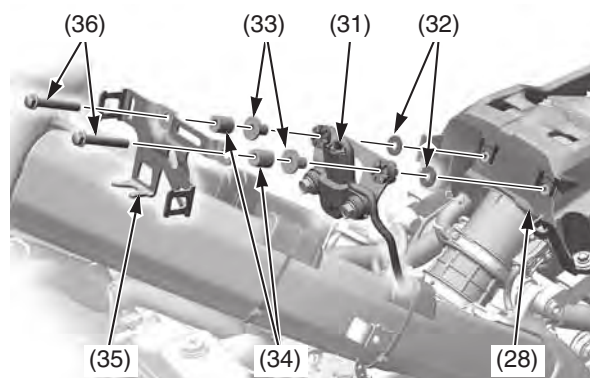
- (1) air cleaner housing
- (24) crankcase breather tube
- (25) air injection air tube
- (26) IAT sensor connector
- (27) connecting tube band screw

11. Install the seat support base (28) to the subframe. Install the collars (29) and mounting bolts (30), then tighten the mounting bolts to the specified torque:  
7 lbf·ft (10 N·m, 1.0 kgf·m)



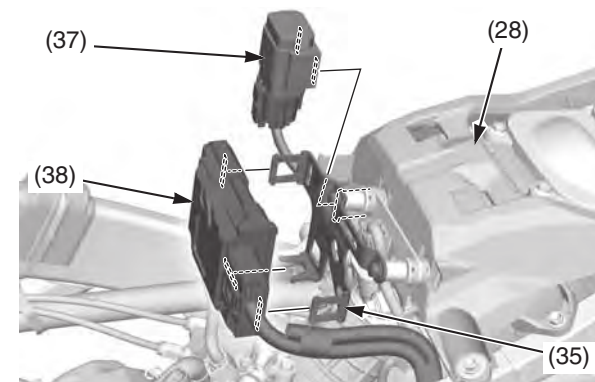
- (28) seat support base
- (29) collars
- (30) bolts

12. Install the bank angle sensor assembly (31) to the seat support base (28) using the washers (32), collars B (33), collars A (34), ECM stay (35) and stay mounting bolts (36), then tighten the bolts securely.



- (28) seat support base
- (31) bank angle sensor assembly
- (32) washers
- (33) collars B
- (34) collars A
- (35) ECM stay
- (36) bolts

13. Install the starter relay (37) to the seat support base. Install the ECM (38) to the ECM stay (35).



- (28) seat support base
- (35) ECM stay
- (37) starter relay
- (38) ECM

- 14. Install the left side cover (page 44).
- 15. Install the muffler (page 127).
- 16. Install the fuel tank (page 45).
- 17. Install the battery (page 133).