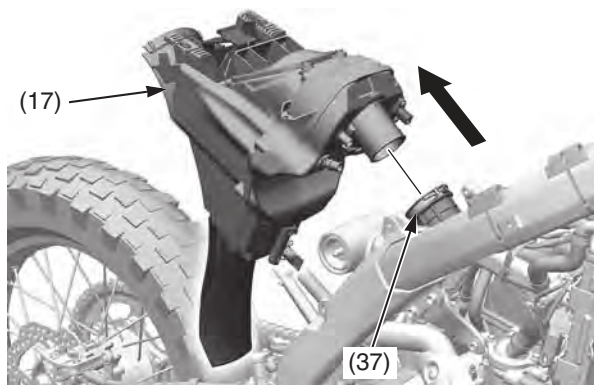


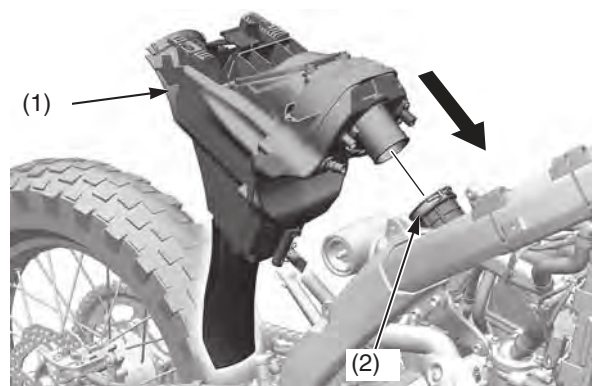
17. Remove the air cleaner housing (17) from the connecting tube (37).



(17) air cleaner housing  
(37) connecting tube

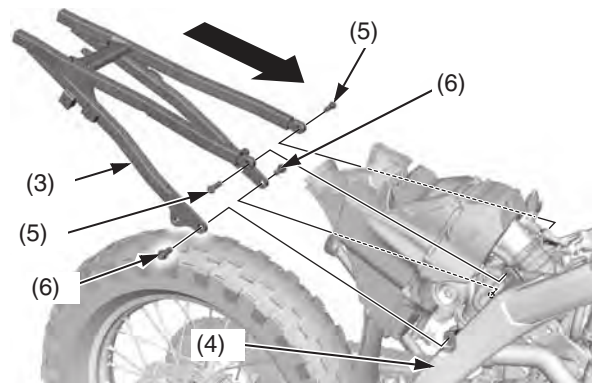
## Installation

1. Install the air cleaner housing (1) to the connecting tube (2).



(1) air cleaner housing  
(2) connecting tube

2. Loosely attach the upper and lower ends of the subframe (3) to the main frame (4), while installing the wire harness into place and loosely install subframe upper mounting bolts (5) and lower mounting bolts (6).

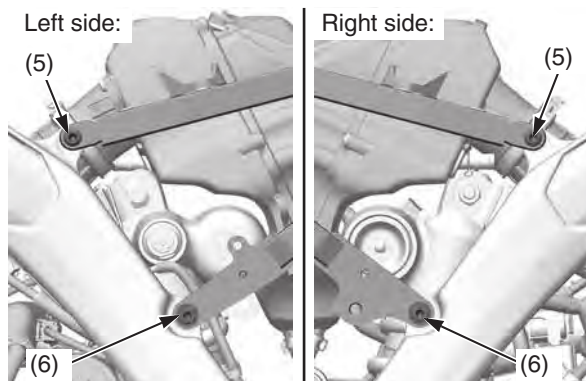


(3) subframe  
(4) main frame  
(5) upper mounting bolts  
(6) lower mounting bolts

3. Tighten the subframe upper mounting bolts (5) first and then tighten the lower mounting bolts (6) to the specified torque.

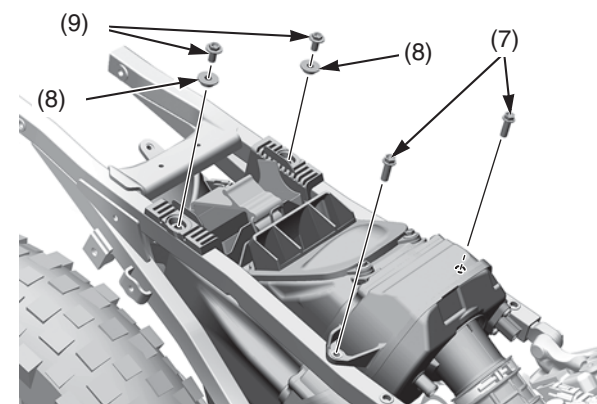
subframe upper mounting bolts:  
24 lbf·ft (32 N·m, 3.3 kgf·m)

subframe lower mounting bolts:  
36 lbf·ft (49 N·m, 5.0 kgf·m)



(5) upper mounting bolts  
(6) lower mounting bolts

4. Install and tighten the air cleaner housing mounting bolts A (7), collars (8) and air cleaner housing mounting bolts B (9).



(7) air cleaner housing mounting bolts A  
(8) collars  
(9) air cleaner housing mounting bolts B

(cont'd)