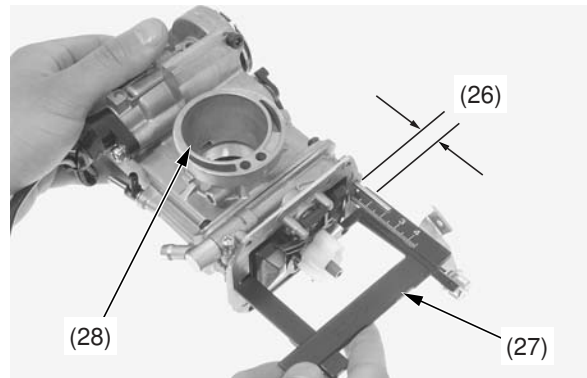


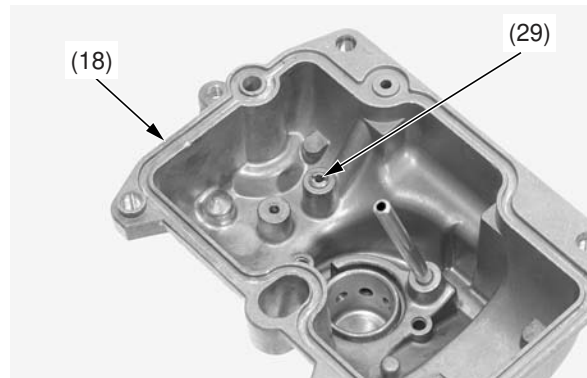
## Carburetor Adjustment & Tuning Tips

9. Measure the float level (26) with the float level gauge (27) during float tab just contacting the float valve and the carburetor intake (28) facing up. The float level should be 8.0 mm (0.31 in).  
If the float level is out of specification, adjust it by bending the float tab carefully.



(26) float level  
(27) float level gauge  
(28) carburetor intake

10. Remove the leak jet (29) from the float bowl (18).  
Clean the leak jet.



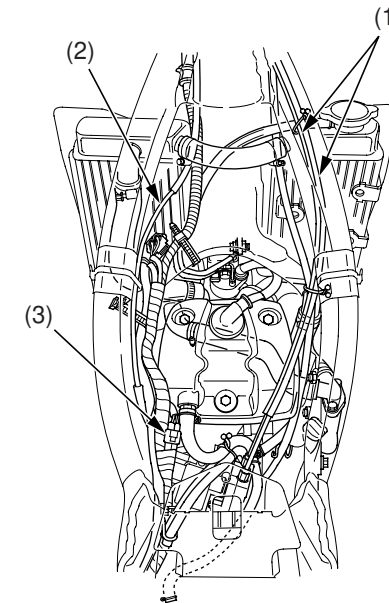
(18) float bowl (29) leak jet

To assemble, reverse the disassembly procedures.  
To install the carburetor, reverse the removal procedures.

Tighten the following parts to the specified torque:

- float bowl screws:  
2.1 N·m (0.2 kgf·m, 1.5 lbf·ft)  
accelerator pump cover screws:  
2.1 N·m (0.2 kgf·m, 1.5 lbf·ft)  
top cover bolts:  
2.1 N·m (0.2 kgf·m, 1.5 lbf·ft)  
throttle drum cover bolt:  
3.4 N·m (0.3 kgf·m, 2.5 lbf·ft)  
hot start cable nut:  
2.1 N·m (0.2 kgf·m, 1.5 lbf·ft)  
shock absorber upper mounting nut:  
44 N·m (4.5 kgf·m, 32 lbf·ft)

- After installing the carburetor, adjust the throttle cable (1) freeplay and hot start cable (2) freeplay.
- After installing the carburetor, check the throttle position sensor connector (3) for correct routing as necessary.
- After installing the carburetor, check the air vent hoses (4) and overflow hose (5) for kinking or pinching and correct routing as necessary.



(1) throttle cables  
(2) hot start cable  
(3) throttle position sensor connector