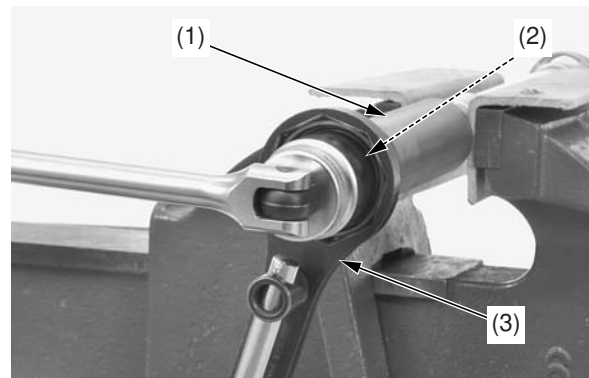


Front Suspension Adjustments

Damper Oil Change

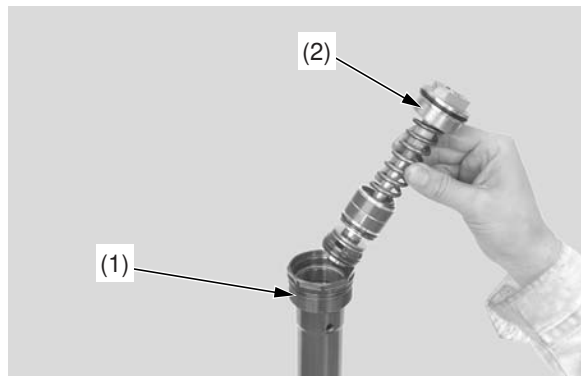
1. Set the fork damper (1) in a vise with a piece of wood or soft jaws to avoid damage.
2. Make sure the compression damping adjuster is set to the softest position.
3. Loosen the fork cap assembly (2) while holding the fork damper using the lock nut wrench (3).



(1) fork damper
(2) fork cap assembly
(3) lock nut wrench

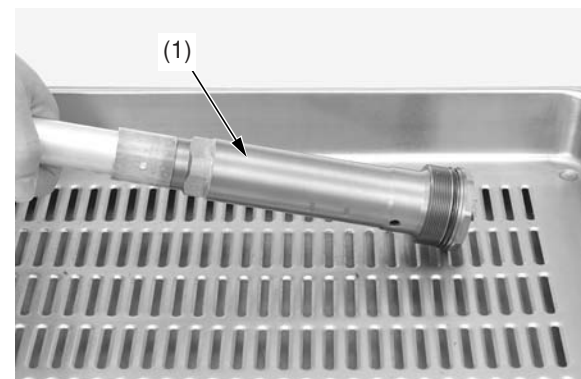
4. Remove the fork cap assembly (2) from the fork damper (1).

Be careful not to damage the fork cap bushing. Do not disassemble the fork cap assembly. Replace the fork cap as an assembly if it is damaged.



(1) fork damper
(2) fork cap assembly

5. Empty the fork oil from the fork damper (1) by pumping the damper rod several times.



(1) fork damper

6. Clean the fork cap and fork damper threads.

7. Extend the fork damper piston rod to maximum length.

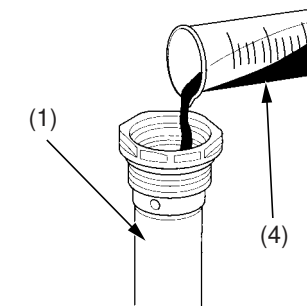
Pour the recommended fork oil (4) into the fork damper (1).

Recommended Oil:

Honda ULTRA CUSHION OIL SPECIAL
5W or equivalent

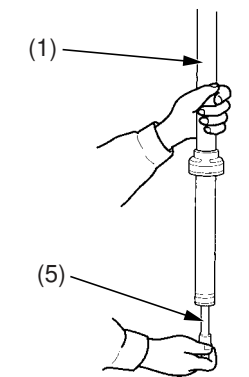
Recommended Amount:

192 cm³ (6.5 US oz, 6.8 Imp oz)



(1) fork damper
(4) fork oil

8. Pump the fork damper piston rod (5) slowly several times to bleed the air from the fork damper (1).



(1) fork damper
(5) fork damper piston rod

(cont'd)