

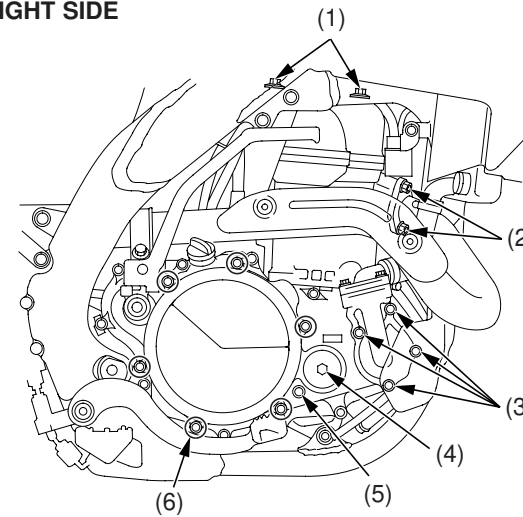
## Additional Maintenance Procedures

### Nuts, Bolts, Fasteners

Check and tighten nuts, bolts, and fasteners before every outing.

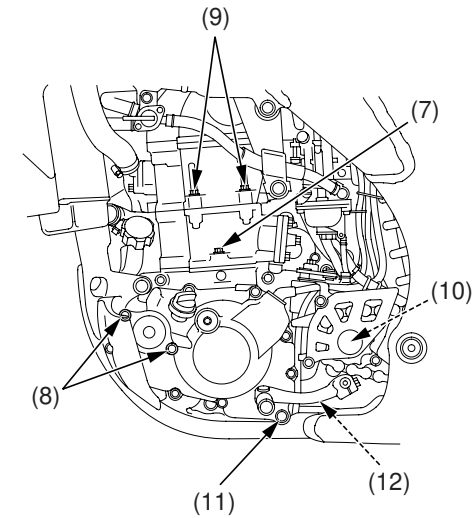
Item	Torque			
	N·m	kgf·m	lbf·ft	
<b>ENGINE</b>				
1	Cylinder head cover bolts	10	1.0	7
2	Exhaust pipe joint nuts	21	2.1	15
3	Water pump cover bolts	10	1.0	7
4	Crankshaft hole cap	15	1.5	11
5	Transmission oil check bolt	10	1.0	7
6	Clutch cover bolts	10	1.0	7
7	Cylinder bolt	10	1.0	7
8	Oil filter cover bolts	10	1.0	7
9	Cylinder head bolts	10	1.0	7
10	Drive sprocket bolt	31	3.2	23
11	Engine oil drain bolt	16	1.6	12
12	Transmission oil drain bolt	22	2.2	16

RIGHT SIDE



- (1) cylinder head cover bolts
- (2) exhaust pipe joint nuts
- (3) water pump cover bolts
- (4) crankshaft hole cap
- (5) transmission oil check bolt
- (6) clutch cover bolts

LEFT SIDE



- (7) cylinder bolt
- (8) oil filter cover bolts
- (9) cylinder head bolts
- (10) drive sprocket bolt
- (11) engine oil drain bolt
- (12) transmission oil drain bolt