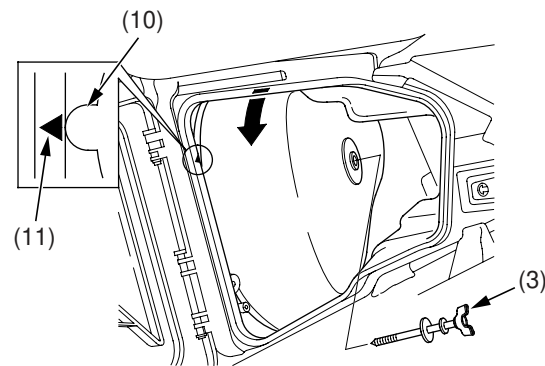


Air Cleaner

8. Apply a thin coat of Honda White Lithium Grease or equivalent to the sealing surface between the air cleaner element and air cleaner element holder.
9. Assemble the air cleaner element and holder. Install the tab (7) of the holder in the hole (8) of the air cleaner element tab (9).
10. Install the air cleaner assembly into the air cleaner housing.
11. Carefully position the sealing flange of the element to prevent dirt intrusion. Align the access tab (10) of the air cleaner element holder with the “Δ” mark (11) of the air cleaner housing by rotating the air cleaner assembly counterclockwise. Install and tighten the air cleaner retaining bolt (3) securely.

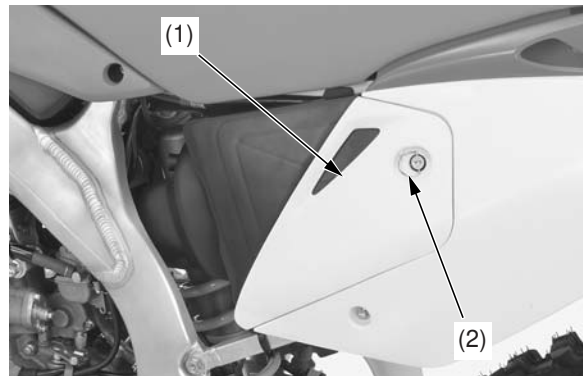


- (3) air cleaner retaining bolt
 (10) access tab
 (11) “Δ” mark

NOTICE

Improper installation of the air cleaner assembly may allow dirt and dust to enter the engine and cause rapid wear of the piston rings and cylinder.

12. Close the air cleaner housing cover (1) and turn the quick fastener (2) clockwise.



- (1) air cleaner housing cover
 (2) quick fastener