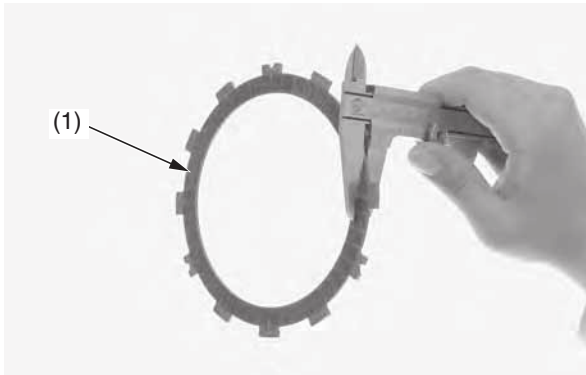


Clutch System

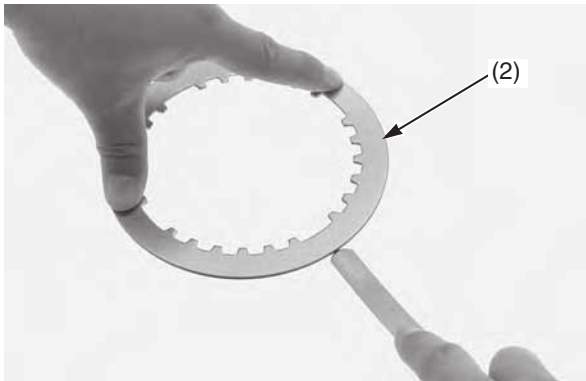
Clutch Disc/Plate/Spring Inspection

- Replace the clutch discs (1) if they show signs of scoring or discoloration.
Measure the thickness of each clutch disc.
Service Limit: 0.112 in (2.85 mm)
Replace the clutch discs and clutch plates as a set.



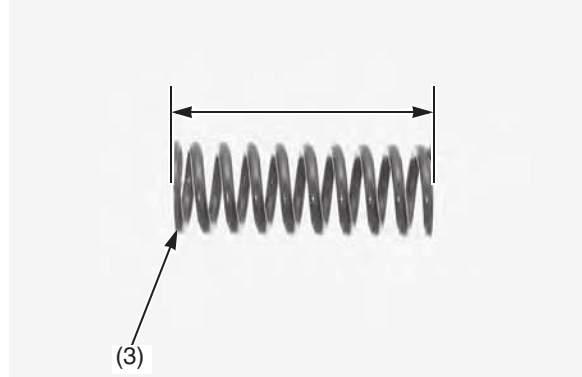
(1) clutch discs

- Check the clutch plates (2) for excessive warpage or discoloration.
Check the plate warpage on a surface plate using a feeler gauge.
Service Limit: 0.006 in (0.15 mm)
Replace the clutch discs and plates as a set.



(2) clutch plates

- Check the clutch springs (3) for wear or damage.
Measure the free length of each clutch spring.
Service Limit: 1.917 in (48.70 mm)
Replace the clutch spring as a set.

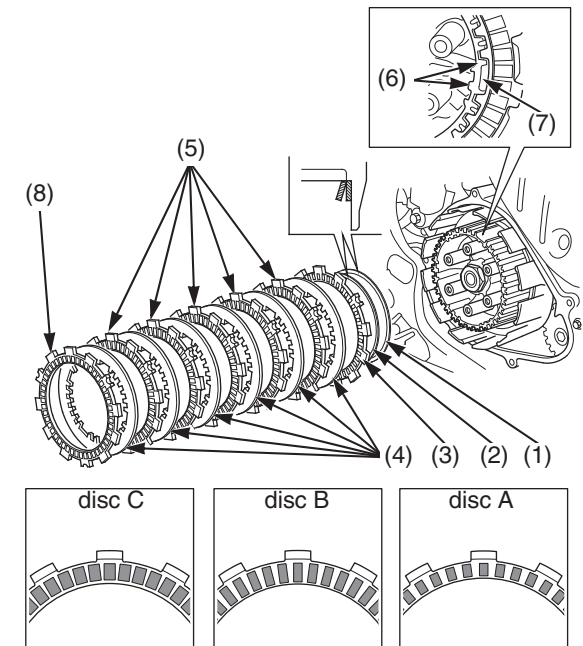


(3) clutch springs

- If you feel the clutch slipping after replacing the clutch disc and plate, replace the clutch springs.

Clutch Disc/Plate Installation

1. Install the spring seat (1) and judder spring (2) onto the clutch center as shown.
Coat the clutch discs with engine oil.
2. Install the clutch disc A (larger I.D. disc) (3) onto the clutch outer.
Stack the six clutch plates (4), five clutch discs B (5) alternately while aligning the lugs (6) of the clutch center with the groove (7) of the clutch plates as shown.
Install the clutch disc C (8).



- (1) spring seat
(2) judder spring
(3) clutch disc A
(4) clutch plates

- (5) clutch discs B
(6) lugs
(7) groove
(8) clutch disc C