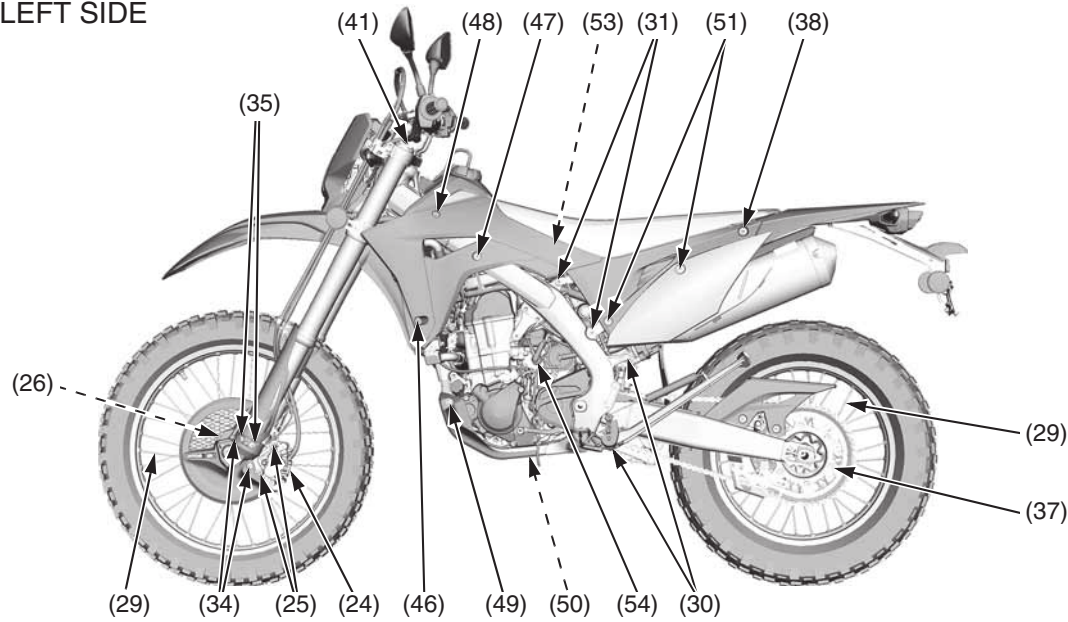
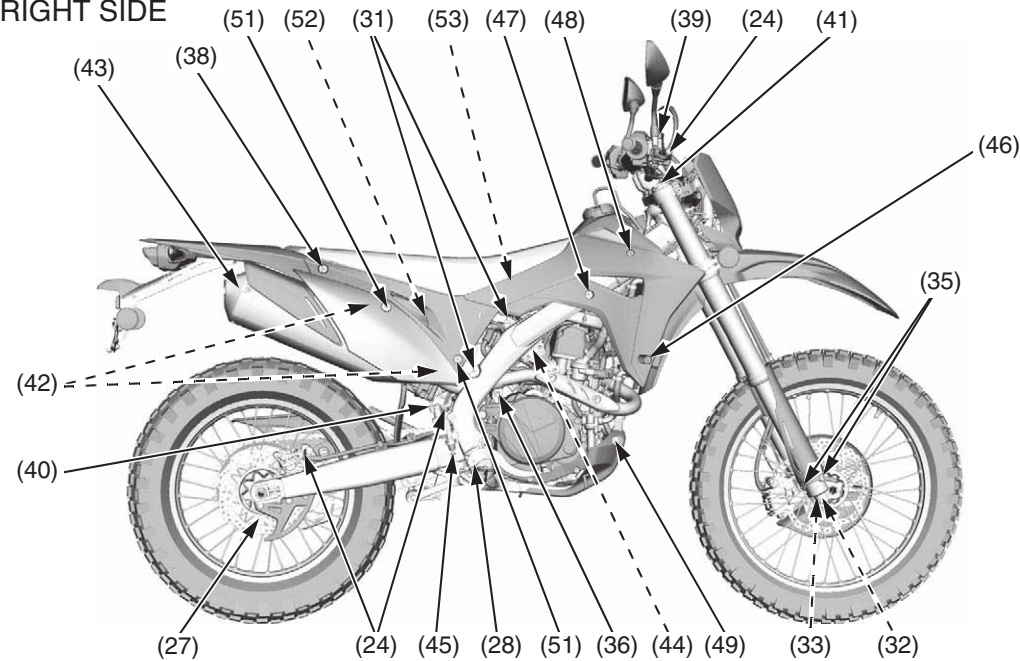


Torque Specifications

LEFT SIDE



RIGHT SIDE



FRAME

| | Item | Torque | | | Remarks | |
|----|--|-----------------------------------|-----|-------|---------|--------|
| | | lbf-ft | N-m | kgf-m | | |
| 24 | Brake hose oil bolts | 25 | 34 | 3.5 | | |
| 25 | Front brake caliper mounting bolts | | | | NOTE 4 | |
| 26 | Front brake disc nuts | 12 | 16 | 1.6 | NOTE 1 | |
| 27 | Rear brake disc nuts | 12 | 16 | 1.6 | NOTE 1 | |
| 28 | Brake pedal pivot bolt | 27 | 36 | 3.7 | | |
| 29 | Spokes | (front) | 2.7 | 3.7 | 0.4 | |
| | | (rear) | 2.7 | 3.7 | 0.4 | |
| 30 | Drive chain roller | (upper) | 9 | 12 | 1.2 | NOTE 4 |
| | | (lower) | 9 | 12 | 1.2 | NOTE 1 |
| 31 | Subframe bolts | (upper) | 24 | 32 | 3.3 | |
| | | (lower) | 36 | 49 | 5.0 | |
| 32 | Fork center bolt | 51 | 69 | 7.0 | | |
| 33 | Fork center bolt lock nut | 21 | 28 | 2.9 | | |
| 34 | Disc cover bolts | 10 | 13 | 1.3 | | |
| 35 | Fork protector socket bolts | 5.2 | 7.0 | 0.7 | NOTE 4 | |
| 36 | Muffler clamp bolt | 15 | 20 | 2.0 | | |
| 37 | Driven sprocket nuts | 24 | 32 | 3.3 | NOTE 1 | |
| 38 | Seat mounting bolts | 19 | 26 | 2.7 | | |
| 39 | Front brake reservoir cap screws | 0.7 | 1.0 | 0.1 | | |
| 40 | Rear brake reservoir cap bolts | 0.7 | 1.0 | 0.1 | | |
| 41 | Fork air pressure release screw | 1.0 | 1.3 | 0.1 | | |
| 42 | Muffler mounting bolt | A | 19 | 26 | 2.7 | |
| | | B | 19 | 26 | 2.7 | |
| 43 | Tail cap cover bolts | Spark arrester mounting bolts | 3.9 | 5.25 | 0.5 | |
| | | Throttle cable adjuster lock nuts | 3.0 | 4.0 | 0.4 | |
| 44 | Throttle cable adjuster lock nuts | 3.0 | 4.0 | 0.4 | | |
| 45 | Rear master cylinder push rod lock nut | 4.4 | 5.9 | 0.6 | | |
| 46 | Shroud A bolts | 7 | 10 | 1.0 | | |
| 47 | Shroud B bolts | 7 | 10 | 1.0 | | |
| 48 | Shroud C bolts | 3.8 | 5.2 | 0.5 | | |
| 49 | Engine guard A bolts/washers | 7 | 10 | 1.0 | | |
| 50 | Engine guard B bolt/washer | 7 | 10 | 1.0 | | |
| 51 | Side cover bolts | 7 | 10 | 1.0 | | |
| 52 | Air cleaner retaining bolt | 1.8 | 2.4 | 0.2 | | |
| 53 | Seat support base mounting bolts | 7 | 10 | 1.0 | | |
| 54 | Starter motor terminal bolt | 5.2 | 7 | 0.7 | | |

NOTES: 1. U-nut
4. Alock bolt: replace with a new one.