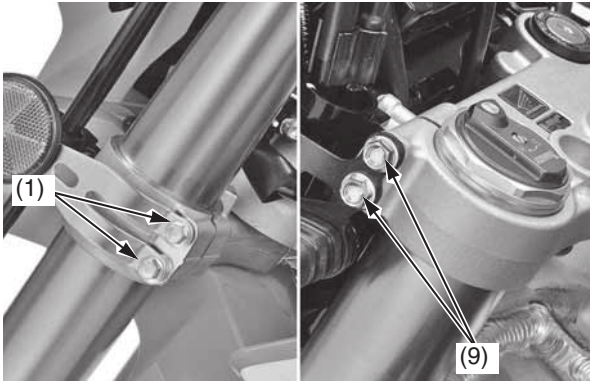


6. Tighten the fork bridge lower pinch bolts (1) to the specified torque:
15 lbf·ft (20 N·m, 2.0 kgf·m)
7. Tighten the fork bridge upper pinch bolts (9) to the specified torque:
15 lbf·ft (20 N·m, 2.0 kgf·m)

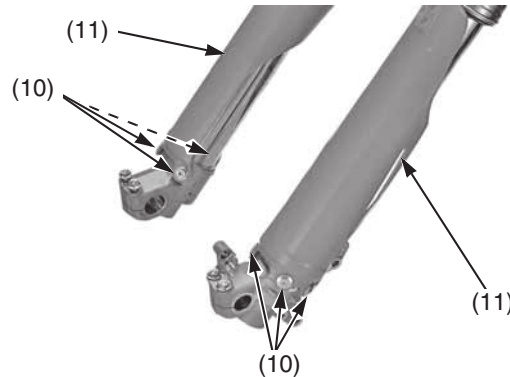
NOTICE

Over-tightening the pinch bolts can deform the outer tubes. Deformed outer tubes must be replaced.



(1) fork bridge lower pinch bolts
(9) fork bridge upper pinch bolts

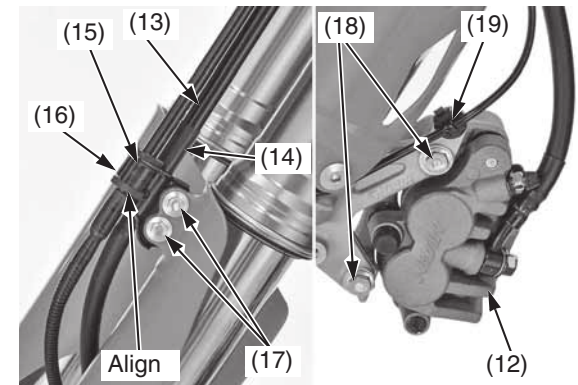
8. Clean the threads of the fork protector socket bolts (10) and axle holder thoroughly. Apply locking agent to the bolt threads. Install the fork protectors (11), fork protector socket bolts. Tighten the fork protector socket bolts to the specified torque:
5.2 lbf·ft (7 N·m, 0.7 kgf·m)



(10) fork protector socket bolts
(11) fork protectors

9. Align the brake caliper (12) and brake hose (13) with the left fork leg, making sure that the brake hose is not twisted. An improperly routed brake hose may rupture and cause a loss of braking efficiency.
10. Align the lower surface of the brake hose protector (14) with the lower ends of the stay A (15) and stay B (16), and assemble them. Install and tighten them to the left fork protector using the brake hose/speed sensor wire clamp bolts (17).

11. Clean the threads of the front brake caliper mounting bolts (18) and brake caliper thoroughly. Apply locking agent to the bolt threads. Install the brake caliper (12) on the slider and tighten the front brake caliper mounting bolts to the specified torque:
22 lbf·ft (30 N·m, 3.1 kgf·m)
Install the speed sensor wire clip (19) to the caliper bracket.



(12) brake caliper
(13) brake hose
(14) brake hose protector
(15) stay A
(16) stay B
(17) brake hose/speed sensor wire clamp bolts
(18) front brake caliper mounting bolts
(19) wire clip

(cont'd)