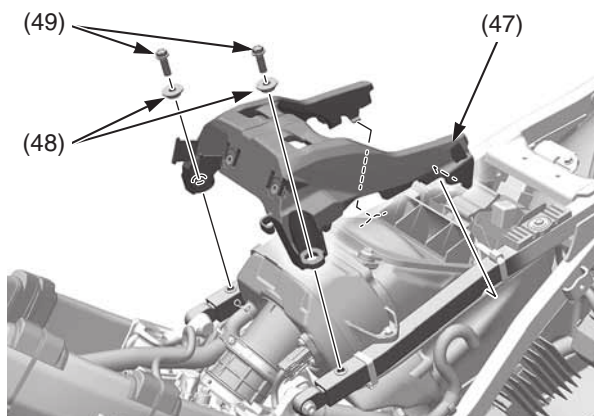
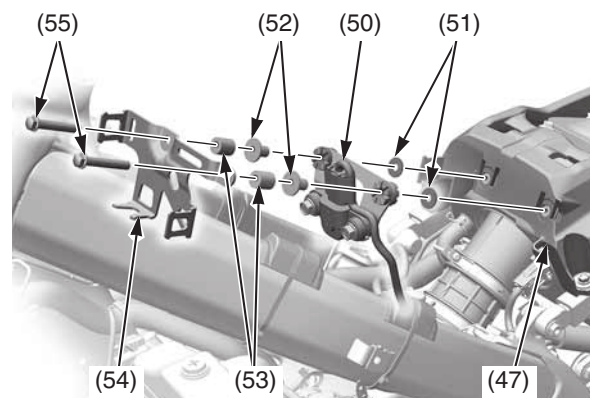


16. Install the seat support base (47) to the subframe. Install the collars (48) and mounting bolts (49), then tighten the mounting bolts to the specified torque:  
7 lbf·ft (10 N·m, 1.0 kgf·m)



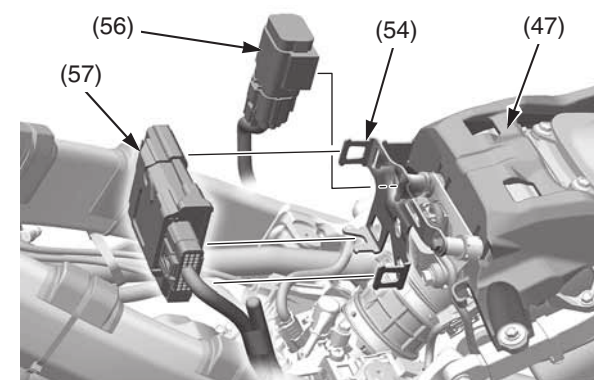
(47) seat support base  
(48) collars  
(49) bolts

17. Install the bank angle sensor assembly (50) to the seat support base (47) using the washers (51), collars B (52), collars A (53), ECM stay (54) and stay mounting bolts (55), then tighten the bolts securely.



(47) seat support base  
(50) bank angle sensor assembly  
(51) washers  
(52) collars B  
(53) collars A  
(54) ECM stay  
(55) bolts

18. Install the starter relay (56) to the seat support base (47). Install the ECM (57) to the ECM stay (54).



(47) seat support base  
(54) ECM stay  
(56) starter relay  
(57) ECM

19. Install the left side cover (page 47).  
20. Install the muffler (page 133).  
21. Install the fuel tank (page 50).  
22. Install the battery (page 139).