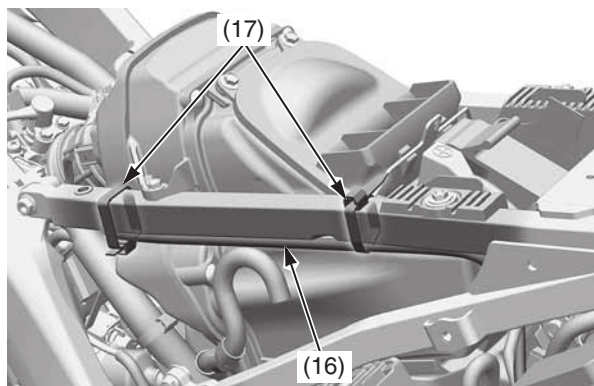
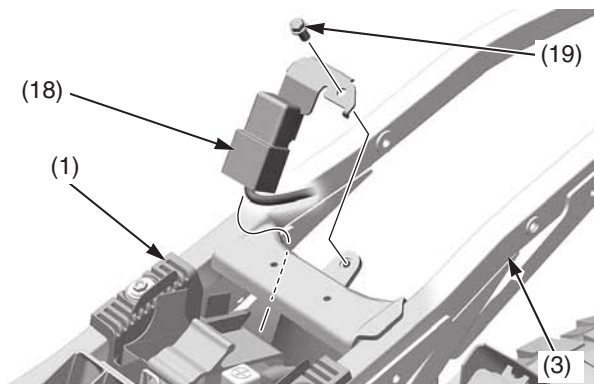


7. Route the positive (+) battery cable (16) properly, secure it with the positive (+) battery cable bands (17).



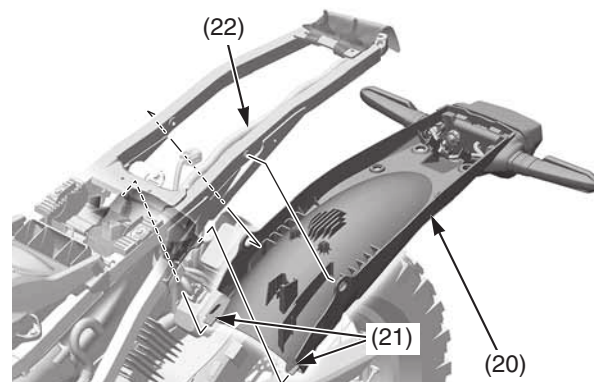
(16) positive (+) battery cable
(17) cable bands

8. Install the turn signal relay/bracket (18) between the subframe (3) and air cleaner housing (1). Install and tighten the bracket mounting bolt (19).



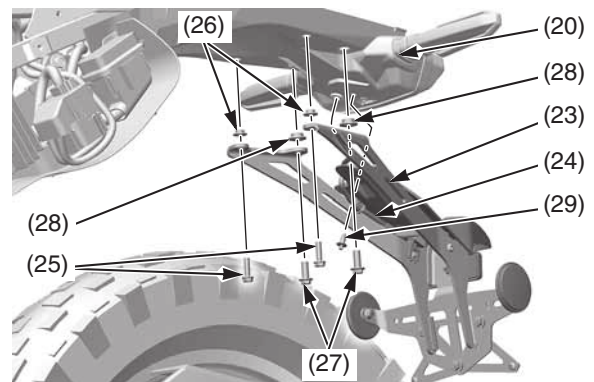
(1) air cleaner housing
(3) subframe
(18) turn signal relay/bracket
(19) bolt

9. Install the rear fender B (20) while installing the front bosses (21) to the air cleaner housing groove. Route the wire harness (22) properly.



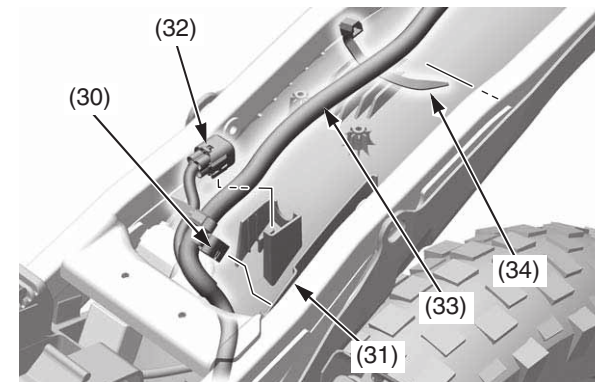
(20) rear fender B
(21) bosses
(22) wire harness

10. Attach the license light stay assembly (23) to the rear fender B (20) while installing the license light wire (24). Install the license light stay assembly mounting A bolts (25), collars A (26), mounting B bolts (27), collars B (28) and clip (29).



(20) rear fender B
(23) license light stay assembly
(24) license light wire
(25) mounting A bolts
(26) collars A
(27) mounting B bolts
(28) collars B
(29) clip

11. Set the wire harness clip (30) to the rear fender boss (31). Install the DLC connector (32) into the rear fender groove. Secure the wire harness (33) with the wire band (34).



(30) wire harness clip
(31) rear fender boss
(32) DLC connector
(33) wire harness
(34) wire harness band

(cont'd)