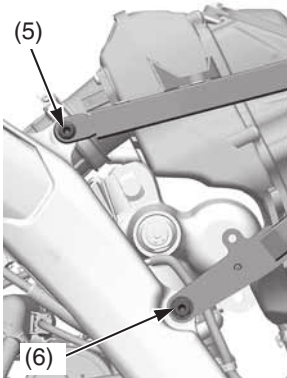


Subframe

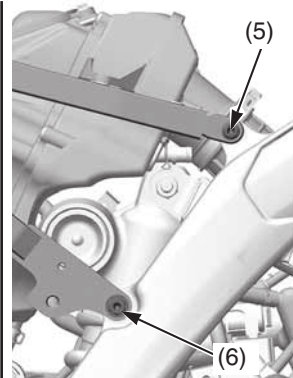
- Tighten the subframe upper mounting bolts (5) first and then tighten the lower mounting bolts (6) to the specified torque.

subframe upper mounting bolts:
 24 lbf·ft (32 N·m, 3.3 kgf·m)
 subframe lower mounting bolts:
 36 lbf·ft (49 N·m, 5.0 kgf·m)

Left side:

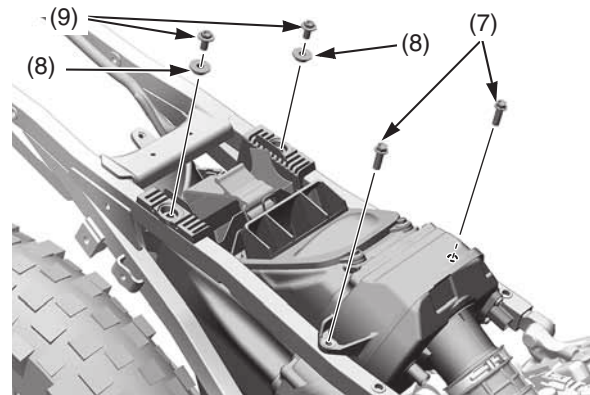


Right side:



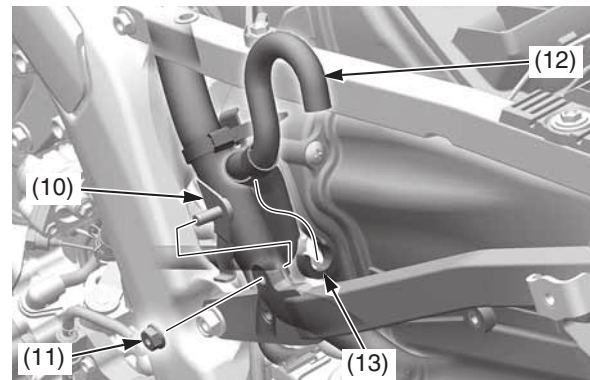
(5) upper mounting bolts
 (6) lower mounting bolts

- Install and tighten the air cleaner housing mounting bolts A (7), collars (8) and air cleaner housing mounting bolts B (9).



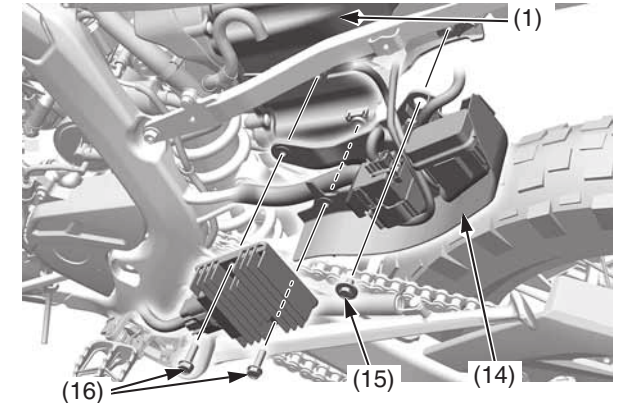
(7) air cleaner housing mounting A bolts
 (8) collars
 (9) air cleaner housing mounting B bolts

- Install the wire harness guide (10) to the subframe, then install and tighten the flange nut (11). Route the canister air tube (12) properly, then install it to the air cleaner housing boss (13).



(10) wire harness guide
 (11) flange nut
 (12) canister air tube
 (13) boss

- Install the fuse box assembly (14) to the air cleaner housing (1). Install the fuse box assembly mounting bolt/washer (15). Install the regulator/rectifier mounting bolts (16). Tighten the regulator/rectifier mounting bolts and fuse box assembly mounting bolt/washer securely.



(1) air cleaner housing
 (14) fuse box assembly
 (15) fuse box assembly mounting bolt/washer
 (16) regulator/rectifier mounting bolts