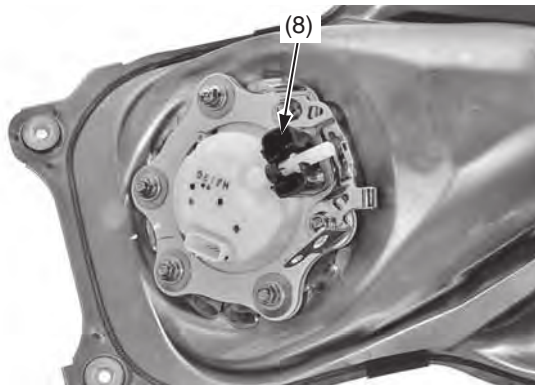


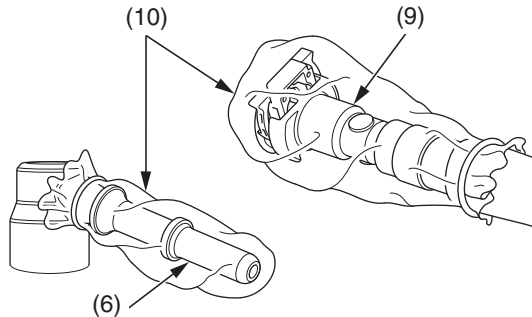
Fuel System

- Remove the rubber cover (8) from the fuel joint of the fuel pump.



(8) rubber cover

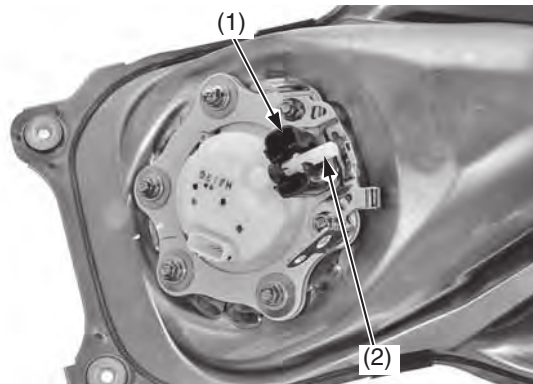
- To prevent damage and keep foreign matter out, cover the disconnected connector (9) and fuel joint (6) with plastic bags (10).



(6) fuel joint
(9) disconnected connector
(10) plastic bags

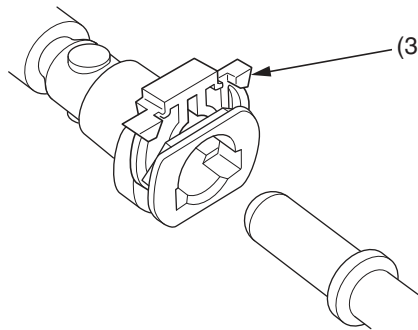
Connection

- Install the rubber cover (1) onto the fuel joint (2) of the fuel pump as shown.



(1) rubber cover
(2) fuel joint

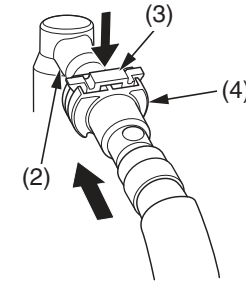
- Be sure that the slide retainer (3) is completely pulled up before connecting the quick connect fitting.
 - Do not bend or twist the fuel feed hose.
 - Do not reuse the kinked or damaged fuel hose.
 - Do not use gloves or a shop towel while installing the quick connect fitting.



(3) slide retainer

- Connect the quick connect fitting to the fuel joint (2) until you hear the “click” while holding the connector housing (4). Lock the slide retainer (3) by pushing it until you hear the “click”.

If it is hard to connect, put a small amount of engine oil on the pipe end of the fuel joint.



(2) fuel joint
(3) slide retainer

(4) connector housing

- Make sure the connection is secure and that the slide retainer is firmly locked into place; check visually and by pulling the connector housing.