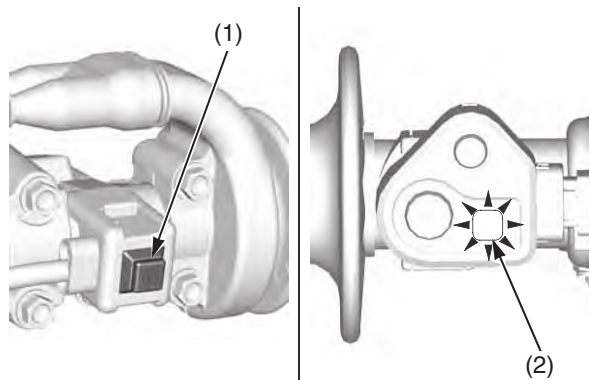


The HRC-Launch Control System reduces slip and assists for an effective start by temporarily decreasing the rev limit when starting.

You can select the rev limit level while the system is operating according to your skill and track conditions.

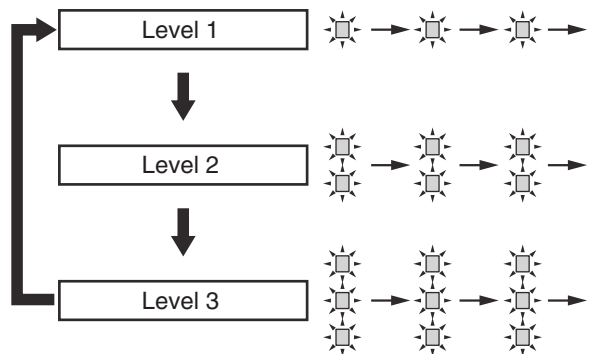
To change the level

1. Start the engine and wait more than 2 seconds.
2. Close the throttle completely, press and hold the start button (1) while pulling the clutch lever in until the launch control system indicator (2) blinks (purple).
  - The system goes into standby, and the launch control system indicator indicates the selected level by blinking (purple).
  - From standby, the control to decrease the rev limit starts.
  - The system may become disabled if you snap the throttle excessively.
  - If the idle speed is low, the system may not go into standby. Set the idle speed to standard rpm, see page 75.
  - To disable the system, quickly press the start button. The launch control system indicator stops blinking.



(1) start button  
(2) launch control system indicator (purple)

3. Press and hold the start button. The level changes every time you press and hold.
  - The level selected last is saved.
  - The factory setting is level 2.



➡: Pressing and holding the start button while the launch control system is in standby

Level	Rev limit during launch control	Number of launch control system indicator blinks
1	High	1
2	Middle	2
3	Low	3

4. To continue using the system, refer to step 2 in *To operate the system* (page 144). To disable the system, quickly press the start button. The launch control system indicator stops blinking and the system is disabled.