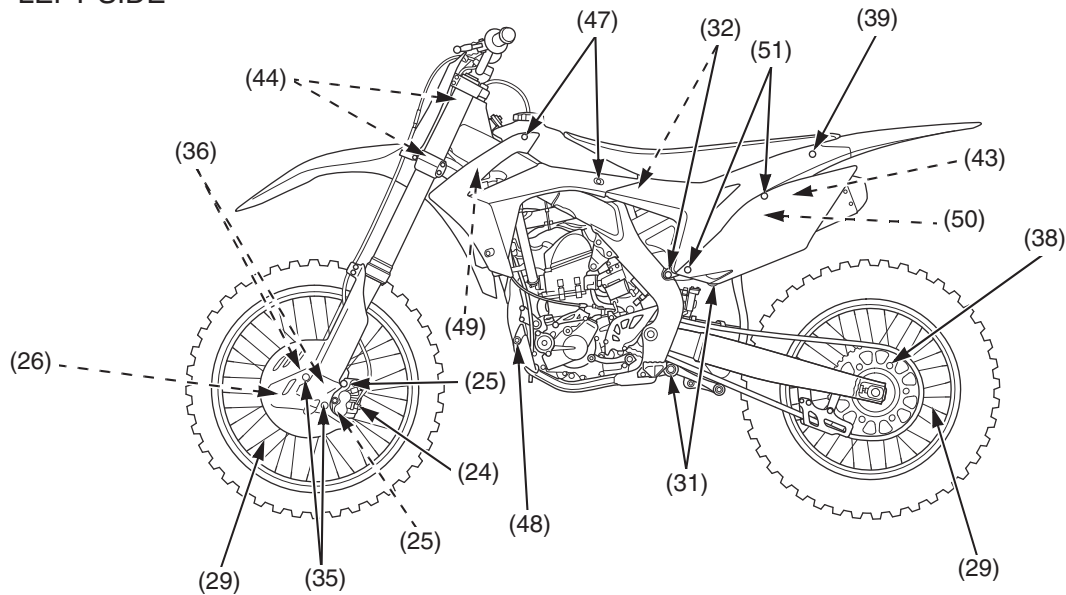
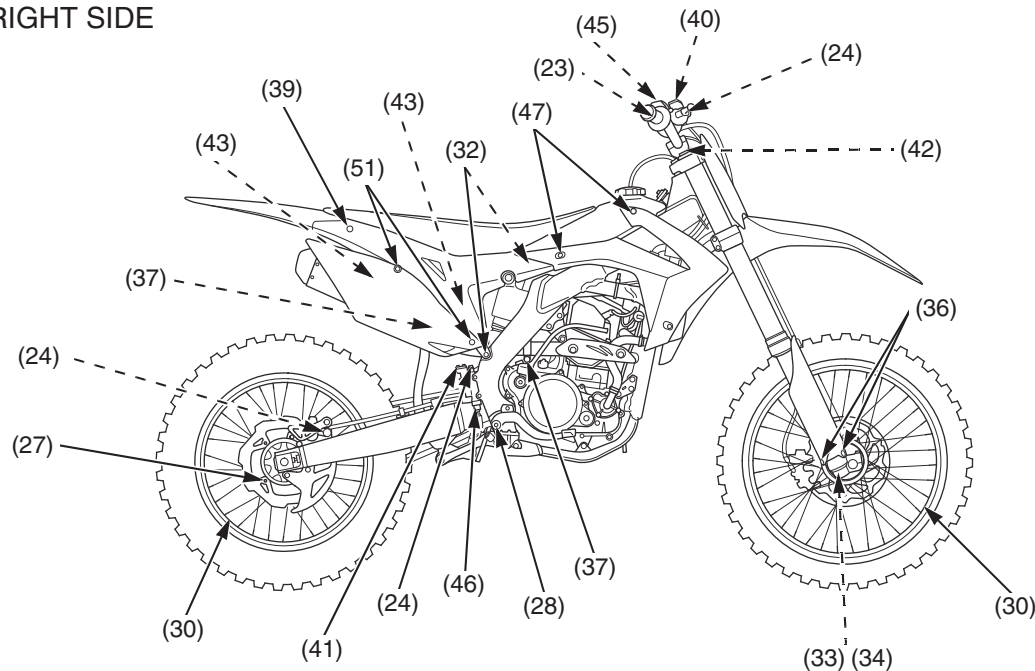


Torque Specifications

LEFT SIDE



RIGHT SIDE



FRAME

Item	Torque			Remarks
	lbf-ft	N-m	kgf-m	
23 Front brake master cylinder holder bolts	7.3	9.9	1.0	
24 Brake hose oil bolts	25	34	3.5	
25 Front brake caliper mounting bolts	22	30	3.1	NOTE 5
26 Front brake disc nuts	12	16	1.6	NOTE 1
27 Rear brake disc nuts	12	16	1.6	NOTE 1
28 Brake pedal pivot bolt	27	36	3.7	NOTE 5
29 Spokes (front)	2.7	3.7	0.4	
(rear)	2.7	3.7	0.4	
30 Rim locks	9	12	1.2	
31 Drive chain roller (upper)	9	12	1.2	NOTE 4, 5
(lower)	9	12	1.2	NOTE 1
32 Subframe bolts (upper)	24	32	3.3	
(lower)	36	49	5.0	
33 Fork center bolt	51	69	7.0	NOTE 3
34 Fork center bolt lock nut	21	28	2.9	
35 Disc cover socket bolts	10	13	1.3	
36 Fork protector socket bolts	5.2	7	0.7	NOTE 5
37 Left / right muffler clamp bolt	15	20	2.0	
38 Driven sprocket nuts	24	32	3.3	NOTE 1
39 Seat mounting bolts	19	26	2.7	
40 Front brake reservoir cap screws	0.7	1.0	0.1	
41 Rear brake reservoir cap bolts	0.7	1.0	0.1	
42 Right fork air pressure release screw	1.0	1.3	0.1	
43 Right/left muffler mounting B bolt (rear)	19	26	2.7	
Right muffler mounting A bolt (front)	19	26	2.7	
44 Steering damper mounting bolts	15	20	2.0	NOTE 5
45 Throttle cable adjuster lock nuts	3.0	4.0	0.4	
46 Rear master cylinder push rod lock nut	4.4	5.9	0.6	
47 Shroud B bolts (upper)	3.8	5.2	0.5	
48 Left engine guard bolt/washer	7	10	1.0	
49 Air bleed bolt	1.2	1.6	0.2	
50 Mud guard screws	1.1	1.5	0.2	
51 Side cover bolts	7	10	1.0	

NOTES: 1. U-nut
 3. Apply a locking agent to the threads.
 4. SH bolt
 5. A lock bolt: replace with a new one.