

2. Clean the fork assembly, especially the sliding surface of the slider and dust seal.
3. Remove the valve caps and clean the area around the air valves.
4. Release the air pressure from the inner chamber by pressing the inner chamber air valve (3) center.

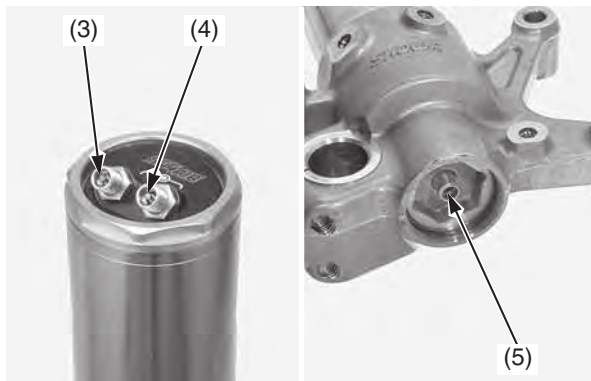
When releasing air pressure from the inner chamber, the fork will be shortened.

5. Release the air pressure from the outer chamber by pressing the outer chamber air valve (4) center.

When releasing air pressure from the outer chamber, the fork will be shortened.

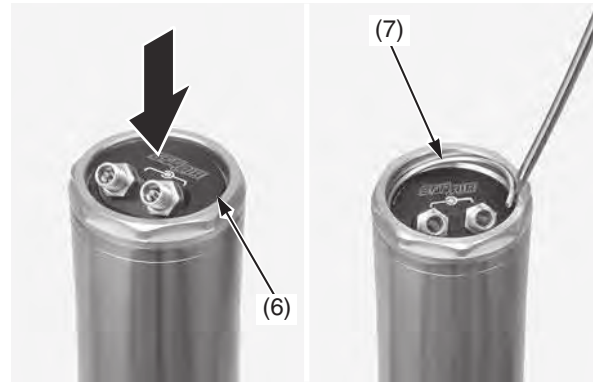
6. Place a shop towel over the balance chamber air valve. Release the air pressure from the balance chamber by pressing the valve (5) center.

When releasing air pressure from the balance chamber, the fork will be extended. Spraying a small amount of fork oil from the balance chamber air valve is normal when releasing air pressure from the balance chamber. This will not affect the fork performance.



- (3) inner chamber air valve
- (4) outer chamber air valve
- (5) balance chamber air valve

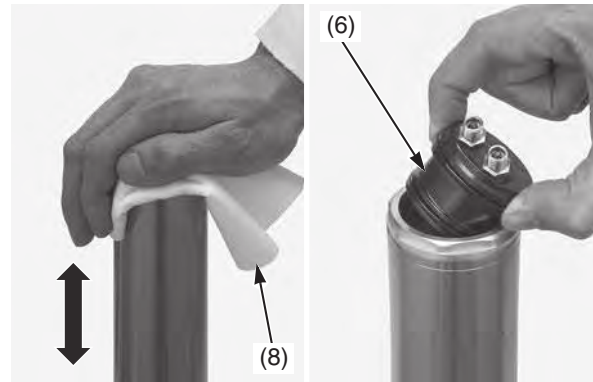
7. Press the fork cap (6) and remove the stopper ring (7).



(6) fork cap

(7) stopper ring

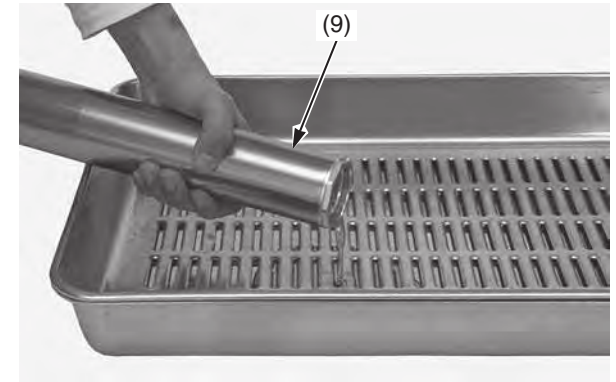
8. Place a shop towel (8) over the fork cap.
9. Slide the outer tube down slowly several times and remove the fork cap (6).



(6) fork cap

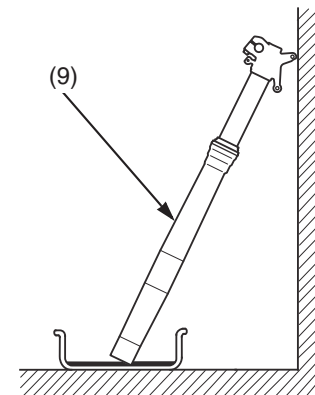
(8) shop towel

10. Drain the fork oil from the inner chamber by sliding the outer tube (9) several times.



(9) outer tube

11. Drain the fork oil by turning the outer tube (9) upside down. (About 0.03 US oz (1.0 cm³) of fork oil will be left in the inner chamber when it is left inverted for about 20 minutes at 68°F/20°C.)



(9) outer tube

(cont'd)