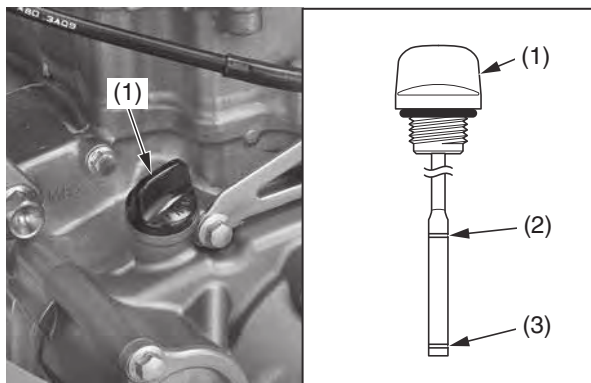


Engine Oil

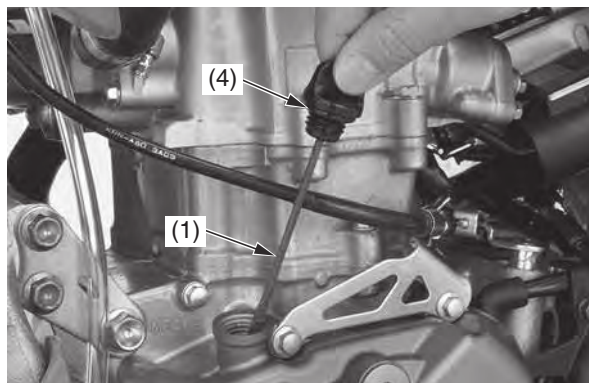
Checking & Adding Oil

1. Run the engine at idle for 3 minutes, then shut it off.
2. Wait 3 minutes after shutting off the engine to allow the oil to properly distribute itself in the engine.
3. Support the CRF in an upright position on a level surface.
4. Remove the engine oil fill cap/dipstick (1), wipe it clean, and insert it without screwing it in. Remove the oil fill cap/dipstick.
5. Check that the oil level is between the upper (2) and lower (3) level marks on the engine oil fill cap/dipstick.
 - If the oil is at or near the upper level mark, you do not have to add oil.
 - If the oil is below or near the lower level mark, add the recommended oil until it reaches the upper level mark. (Do not overfill.)Reinstall the engine oil fill cap/dipstick. Repeat steps 1 – 5.



- (1) engine oil fill cap/dipstick
(2) upper level mark
(3) lower level mark

6. Check that the O-ring (4) is in good condition and replace it if necessary.
7. Reinstall the engine oil fill cap/dipstick (1).



- (1) engine oil fill cap/dipstick
(4) O-ring

8. Check for oil leaks.

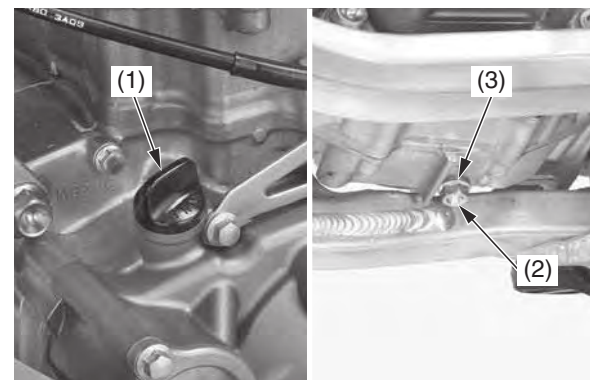
Changing Engine Oil & Filter

1. Run the engine at idle for 3 minutes, then shut it off.
2. Support the CRF in an upright position on a level surface.
3. Remove the engine oil fill cap/dipstick (1) from the left crankcase cover.
4. Place an oil drain pan under the engine to catch the oil. Then remove the engine oil drain bolt (2) and sealing washer (3).
5. With the engine stop button pushed, repeat kickstarter operation approximately five times to drain the engine oil completely.
6. After the oil has drained, apply engine oil to the drain bolt threads and seating surface, then tighten it with a new sealing washer to the specified torque:
12 lbf-ft (16 N·m, 1.6 kgf·m)

Pour the drained oil into a suitable container and dispose of it in an approved manner (page 158).

NOTICE

Improper disposal of drained fluids is harmful to the environment.



- (1) engine oil fill cap/dipstick
(2) engine oil drain bolt
(3) sealing washer (new)