

# Fuel Tank

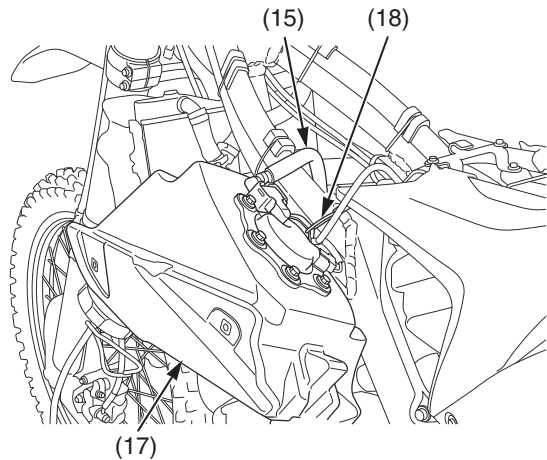
- Pull the fuel tank (17) out of the frame and hang it to the left of the frame. Check the fuel tank stopper cable (18) for deterioration, kinks or other damage.

Do not support the fuel tank by the fuel feed hose (15).

## ⚠ WARNING

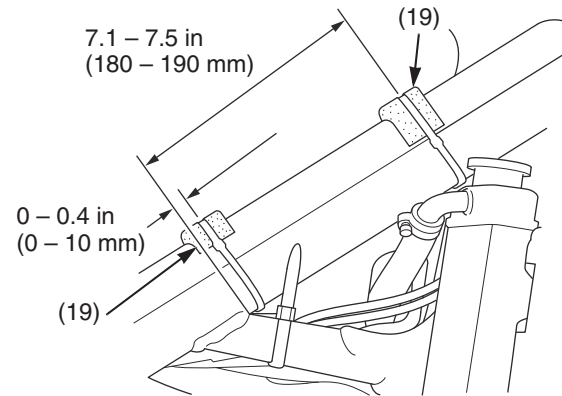
Gasoline is highly flammable and explosive. You can be burned or seriously injured when handling fuel.

- Stop the engine and keep heat, sparks and flame away.
- Handle fuel only outdoors.
- Wipe up spills immediately.



(15) fuel feed hose  
(17) fuel tank  
(18) fuel tank stopper cable

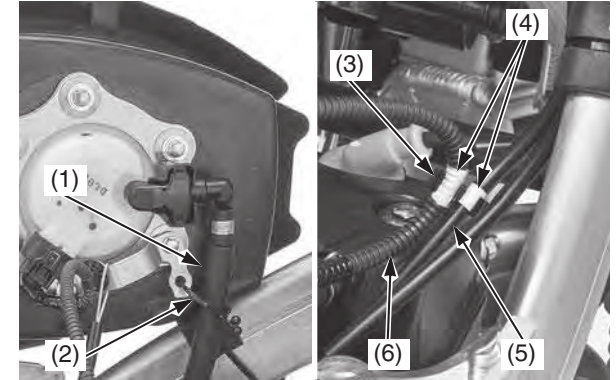
- Check for interference between the frame and tank and adjust the cushion rubbers (19) if necessary.



(19) cushion rubbers

## Installation

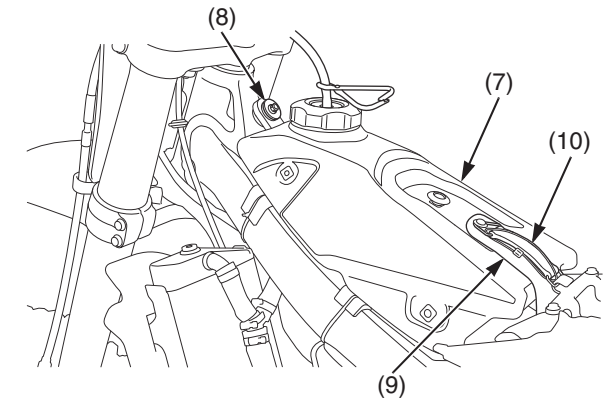
- Install the fuel feed hose (1) to the clamp B (2).
- Attach the clamp A (3) to the white tape (4) on the throttle cable (5) and fuel pump wire (6).



(1) fuel feed hose  
(2) clamp B  
(3) clamp A

(4) white tape  
(5) throttle cable  
(6) fuel pump wire

- Install the fuel tank (7) on the frame.
- Install the collar and fuel tank bolt (8).
- Hook the air cleaner rubber (9) and the fuel tank band (10).



(7) fuel tank  
(8) collar and fuel tank bolt  
(9) air cleaner rubber  
(10) fuel tank band