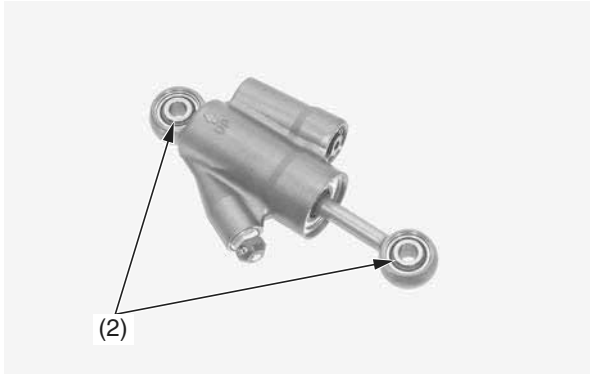


- Check the condition of the spherical bearings (2).
Move the spherical bearing with your finger. The spherical bearing should move smoothly and quietly.

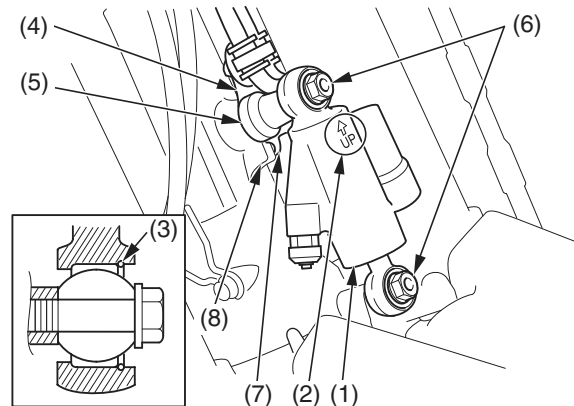
Replace the spherical bearing if it does not move smoothly and quietly.
Refer to an official Honda Service Manual or see your dealer.



(2) spherical bearings

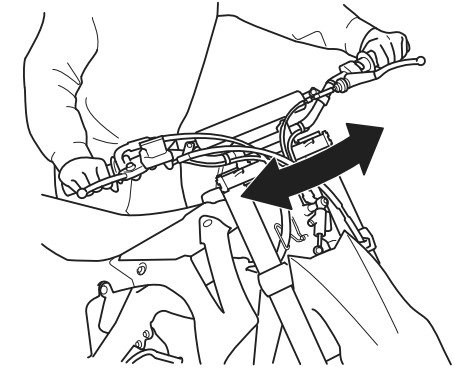
Installation

- Clean and apply a locking agent to the steering damper mounting bolt threads.
- Install the steering damper (1) with its “UP” mark (2) facing up and forward. Turn the damper rod and its stopper ring (3) facing toward the front side.
- Install the connector stay (4), collar (5) and steering damper mounting bolts (6).
 - Be sure to install the collar with its wide flange side facing toward the steering head pipe side.
 - Align the connector stay tab (7) with the steering head pipe lug (8).
- Tighten the steering damper mounting bolts to the specified torque:
15 lbf·ft (20 N·m, 2.0 kgf·m)



- steering damper
- “UP” mark
- stopper ring
- connector stay
- collar
- steering damper mounting bolts
- connector stay tab
- steering head pipe lug

- With your CRF on a box or an optional workstand (front wheel elevated), check that the steering moves smoothly from side to side.



- Install the number plate (page 126).