

# Fuel System

## Fuel Pump Filter Replacement

Empty the fuel tank into an approved gasoline container using a commercially available hand siphon or an equivalent method.

Be careful not to damage the fuel pump while draining the fuel in the fuel tank.

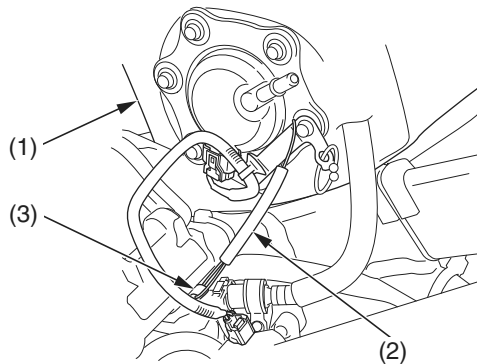
### **⚠ WARNING**

Gasoline is highly flammable and explosive. You can be burned or seriously injured when handling fuel.

- Stop the engine and keep heat, sparks and flame away.
- Handle fuel only outdoors.
- Wipe up spills immediately.

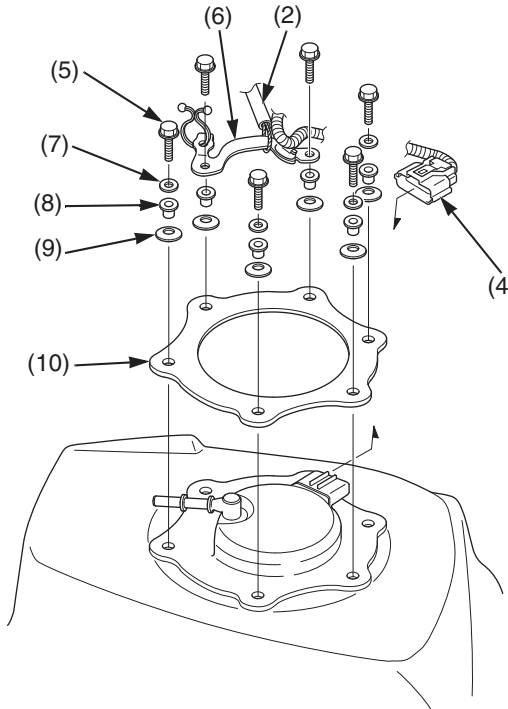
### Removal

1. Relieve the fuel pressure (page 41).
2. Disconnect the fuel line from the fuel pump (page 41).
3. Remove the fuel tank (1) by releasing the stopper cable (2) from the hook (3) of the frame.



(1) fuel tank  
(2) stopper cable  
(3) frame hook

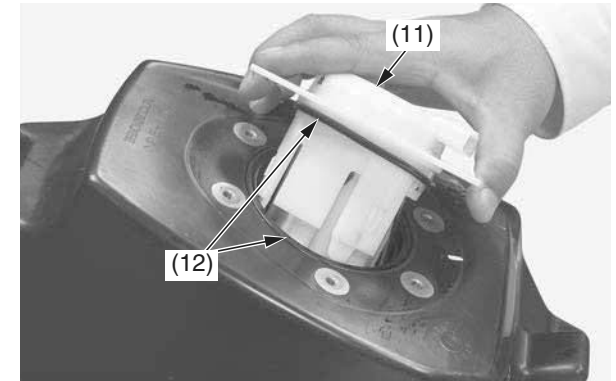
4. Disconnect the fuel pump connector B (4).
5. Remove the fuel pump mounting bolts (5), stopper cable guide (6), stopper cable (2), washers (7), collars (8), conical spring washers (9) and fuel pump plate (10).



(2) stopper cable  
(4) fuel pump connector B  
(5) fuel pump mounting bolts  
(6) stopper cable guide  
(7) washers  
(8) collars  
(9) conical spring washers  
(10) fuel pump plate

6. Remove the fuel pump unit (11) and O-rings (12).

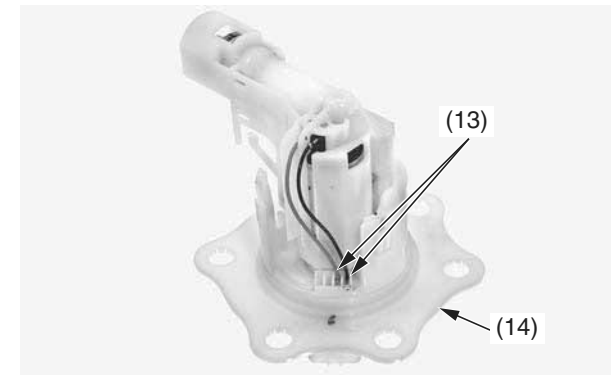
Be careful not to damage the fuel pump unit.



(11) fuel pump unit  
(12) O-rings

7. Disconnect the fuel pump wire terminals (13) from the fuel pump base (14).

Be careful not to damage the wires when disconnecting the fuel pump wire terminals.



(13) fuel pump wire terminals  
(14) fuel pump base