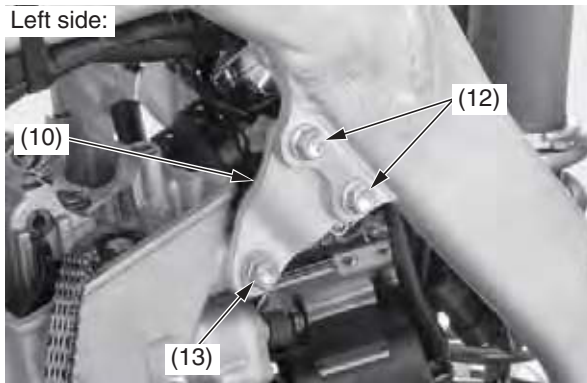


Piston/Piston Rings/Piston Pin

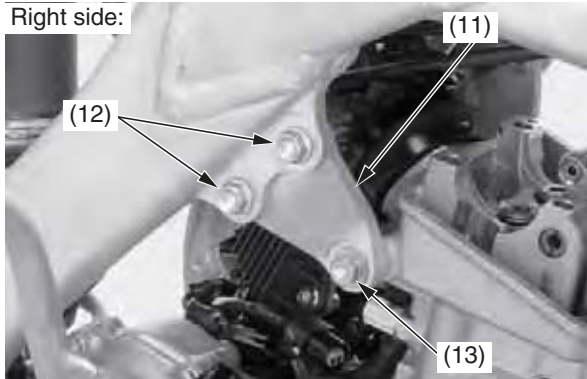
8. Install the left cylinder head hanger plate (10) and right cylinder head hanger plate (11), then loosely install the cylinder head hanger plate bolts (12) and cylinder head hanger bolts (13). Tighten the cylinder head hanger bolts and cylinder head hanger plate bolts to the specified torque:

- cylinder head hanger bolts:
40 lbf·ft (54 N·m, 5.5 kgf·m)
- cylinder head hanger plate bolts:
24 lbf·ft (32 N·m, 3.3 kgf·m)

Left side:

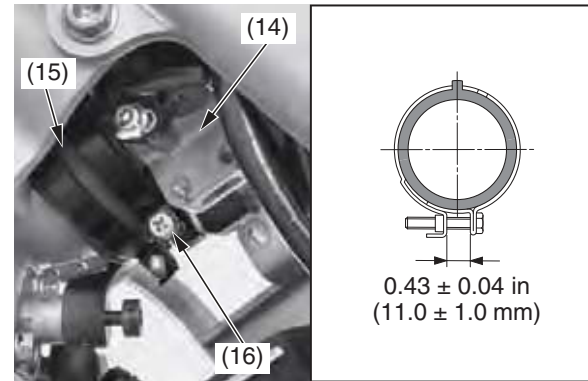


Right side:



- (10) left cylinder head hanger plate
- (11) right cylinder head hanger plate
- (12) cylinder head hanger plate bolts
- (13) cylinder head hanger bolts

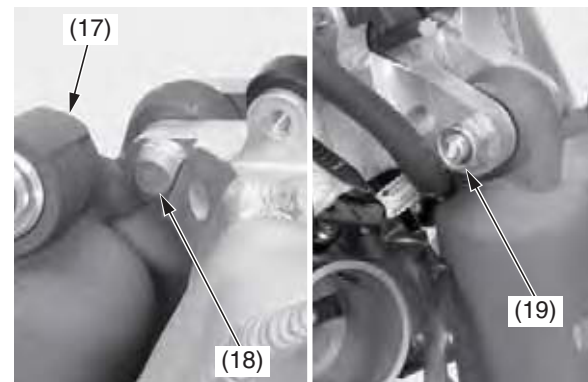
9. Install the throttle body (14) to the insulator (15) by aligning the tab of the throttle body with the groove of the insulator and tighten the insulator band screw (16) so the distance between the band ends is 0.43 ± 0.04 in (11.0 ± 1.0 mm).



- (14) throttle body
- (15) insulator

(16) insulator band screw

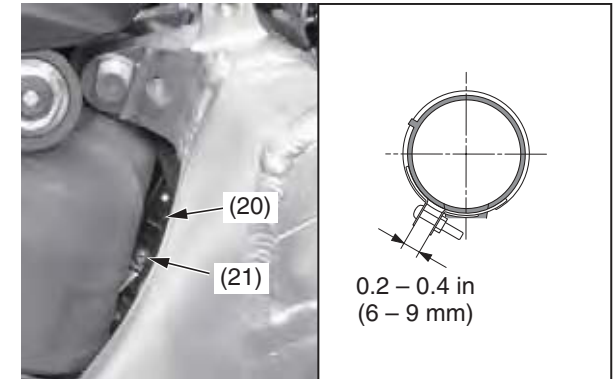
10. Set the rear shock absorber (17) and install the rear shock absorber upper bolt (18) and nut (19) as shown. Tighten the rear shock absorber upper nut to the specified torque:
32 lbf·ft (44 N·m, 4.5 kgf·m)



- (17) rear shock absorber
- (18) rear shock absorber upper bolt

(19) nut

11. Install the air cleaner connecting tube (20) along with air cleaner case to the throttle body. Tighten the air cleaner connecting tube band screw (21) so the distance between the band ends is 0.2 – 0.4 in (6 – 9 mm).



- (20) air cleaner connecting tube
- (21) air cleaner connecting tube band screw