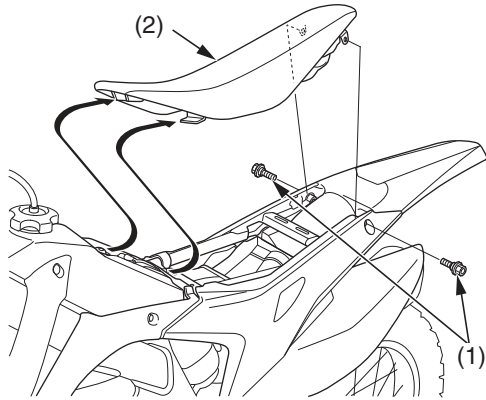


Refer to *Important Safety Precautions* on [page 23](#).

Removal

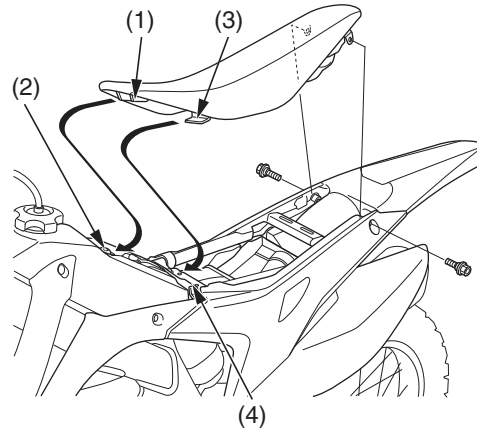
1. Remove the seat mounting bolts (1).
2. Remove the seat (2) by sliding it backward.



(1) seat mounting bolts (2) seat

Installation

1. Install the seat while aligning the seat front prong (1) with the front seat bracket (2) and seat rear prong (3) with the seat stopper plate (4).
2. Install and tighten the seat mounting bolts to the specified torque:
19 lbf-ft (26 N-m, 2.7 kgf-m)



(1) seat front prong (3) seat rear prong
(2) front seat bracket (4) seat stopper plate