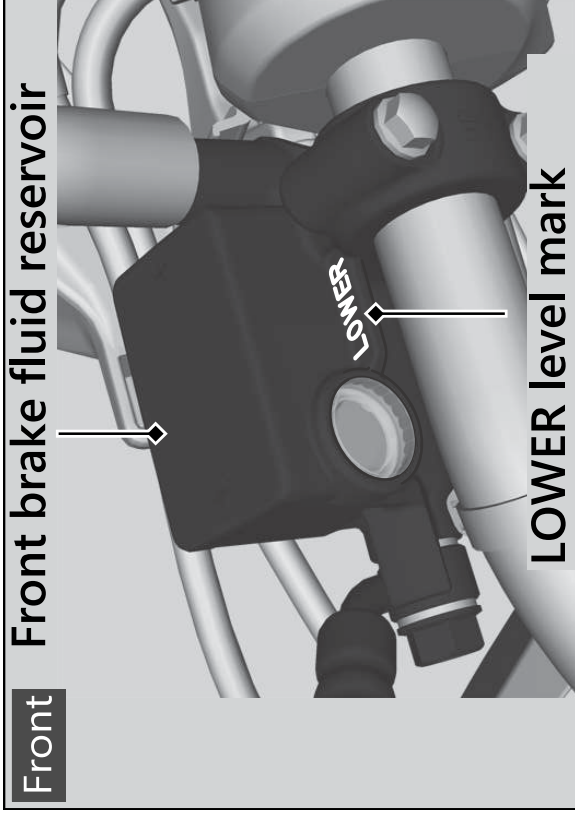


Checking Brake Fluid

1. Place your vehicle in an upright position on a firm, level surface.
2. **Front** Check that the brake fluid reservoir is horizontal and that the fluid level is above the LOWER level mark.
- Rear** Check that the brake fluid reservoir is horizontal and that the fluid level is above the LWR mark.

If the brake fluid level in either reservoir is below the LOWER level mark/LWR mark or the brake lever and pedal freeplay becomes excessive, inspect the brake pads for wear. If the brake pads are not worn, you most likely have a leak. Have your vehicle inspected by your dealer.

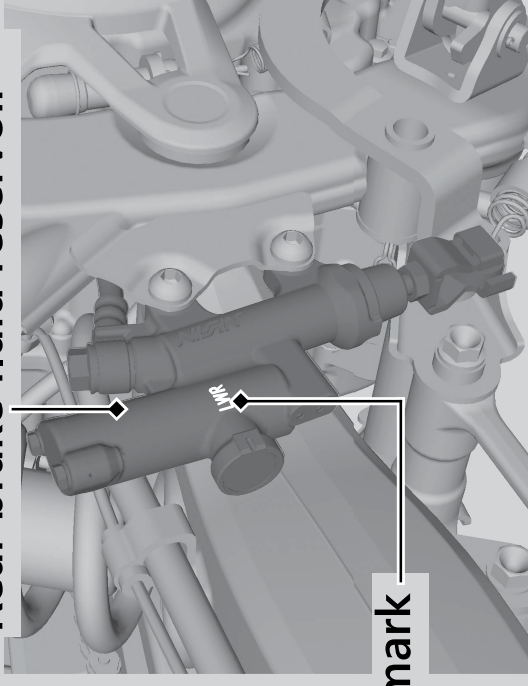


Front

Front brake fluid reservoir

Rear

Rear brake fluid reservoir



LWR mark