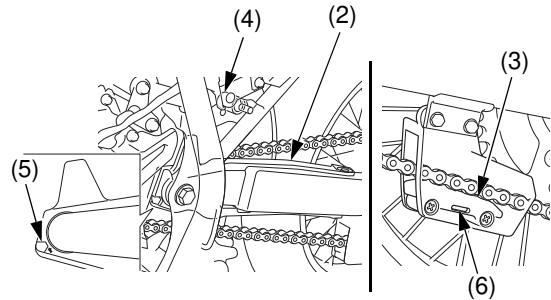


# Drive Chain

4. Check the chain slider (2), chain guide slider (3) and chain roller (4) for wear. If the chain slider is worn to the bottom of the cutout (5), have your dealer replace the slider. Replace the chain guide slider if the chain is visible through the wear inspection window (6). Replace the chain roller if it is smaller than 0.7 in (18 mm).

LEFT SIDE



- (2) chain slider                      (5) cutout  
(3) chain guide slider              (6) wear inspection window  
(4) chain roller

5. Replace the drive chain if chain slack is excessive when the rear axle is moved to the farthest limit of adjustment. Excessive slack indicates the chain is worn beyond its service limit.