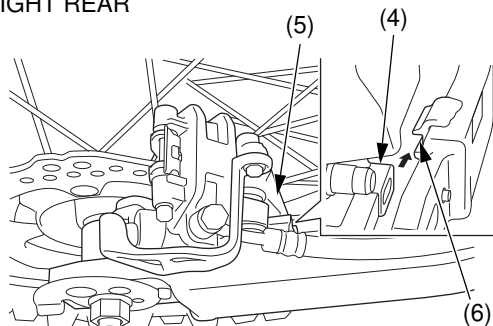


# Wheels

RIGHT REAR



(4) lug  
(5) caliper bracket

(6) slot

## Installation

1. Installation is the reverse order of removal.  
Install the side collars into the wheel in their original locations. Carefully fit the brake disc between the pads to avoid scratching them. Make sure the lug (4) on the caliper bracket (5) is located in the slot (6) in the swingarm. Check that the chain adjusters are installed properly.
2. Adjust the drive chain (page 102).
3. Tighten the rear axle nut to the specified torque:  
**80 lbf·ft (108 N·m, 11.0 kgf·m)**
4. After installing the wheel, apply the brake pedal several times, then check if the wheel rotates freely. Recheck the wheel if the brake drags or if the wheel does not rotate freely.

If a torque wrench was not used to install the wheel, see your dealer as soon as possible to verify proper assembly. Improper assembly may lead to loss of braking capacity.