

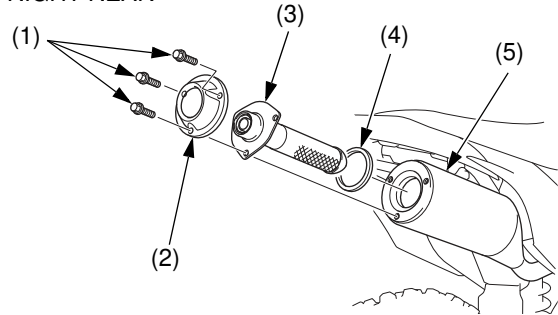
# Spark Arrester

Refer to *Safety Precautions* on page 39.

The spark arrester must be serviced every 100 operating hours to maintain its efficiency.

Regular servicing prevents carbon buildup (which can diminish engine performance) and also complies with USDA regulations for regular maintenance to assure proper function. The spark arrester prevents random sparks from the combustion process in your engine from reaching the environment.

RIGHT REAR



- (1) bolts
- (2) tail cover
- (3) spark arrester
- (4) gasket
- (5) muffler

1. Allow the engine and muffler to cool.
2. Remove the bolts (1) and tail cover (2), the spark arrester (3), and the gasket (4) from the muffler (5).

(cont'd)