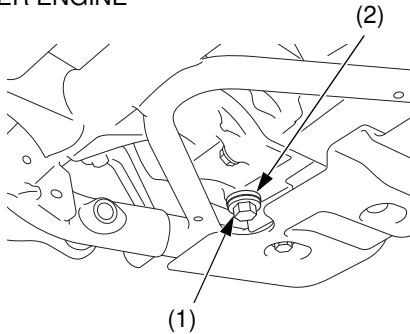


## Changing Engine Oil

UNDER ENGINE



(1) oil drain bolt

(2) sealing washer

1. If the engine is cold, start it and let it idle for 3-5 minutes. Turn the engine off. Wait 2-3 minutes for the oil to settle.
2. Park your motorcycle on its side stand on a firm, level surface.
3. Place a drain pan under the crankcase.
4. To drain the oil, remove the oil fill cap/ dipstick, oil drain bolt (1) and sealing washer (2).

(cont'd)