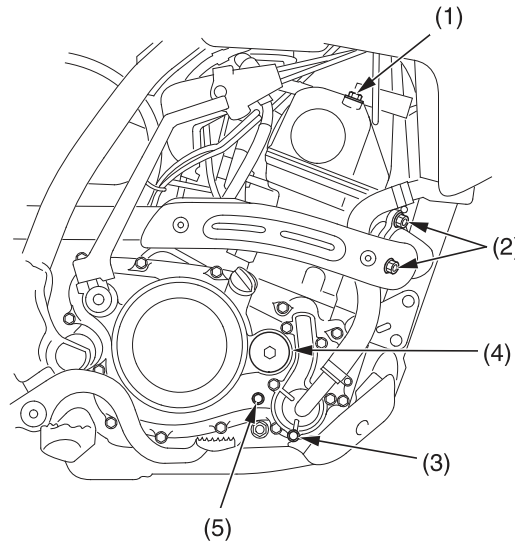


Nuts, Bolts, Fasteners

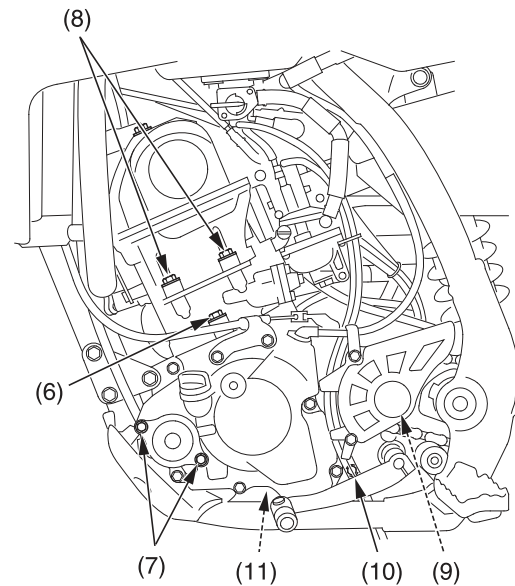
Check and tighten nuts, bolts, and fasteners before every outing.

Engine

RIGHT SIDE



LEFT SIDE



ENGINE

Item	Torque			Remarks	
	lbf•ft	N•m	kgf•m		
1	Cylinder head cover bolts	7	10	1.0	
2	Exhaust pipe joint nuts	8	11	1.1	
3	Coolant drain bolt	7	10	1.0	
4	Crankshaft hole cap	11	15	1.5	NOTE 5
5	Transmission oil check bolt	7	10	1.0	
6	Cylinder bolt	7	10	1.0	
7	Oil filter cover bolts	7	10	1.0	
8	Cylinder head bolts	7	10	1.0	
9	Drive sprocket bolt	10	13	1.3	
10	Transmission oil drain bolt	16	22	2.2	NOTE 3
11	Engine oil drain bolt	16	22	2.2	NOTE 3

NOTES: 1. U-nut.
 2. UBS nut.
 3. Apply oil to the threads and seating surface.
 4. Lock bolt.
 5. Apply grease to the threads.
 6. Apply locking agent to the threads.