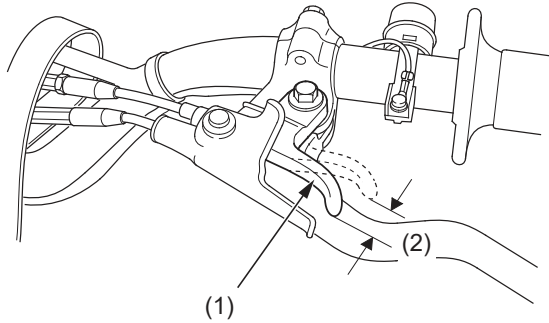


Refer to *Safety Precautions* on page 19.

Hot Start Lever Freeplay



- (1) hot start lever
- (2) hot start lever freeplay

Inspection

Check freeplay:

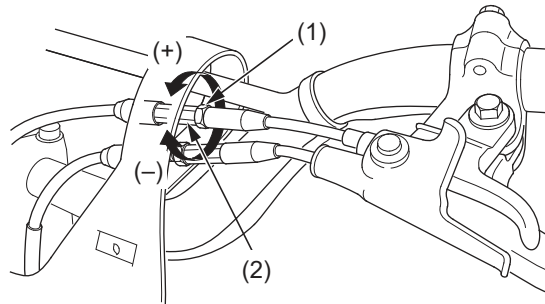
Freeplay: 1/16 – 1/8 in (2 – 3 mm)

If necessary, adjust to the specified range.

Adjustment

Adjustments can be made with the cable adjuster.

Loosen the lock nut (1) and turn the adjuster (2). Turning the adjuster clockwise (+) will increase freeplay and turning it counterclockwise (-) will decrease freeplay. After adjustment, tighten the lock nut.



- (1) lock nut
- (2) adjuster

- (+) increase freeplay
- (-) decrease freeplay