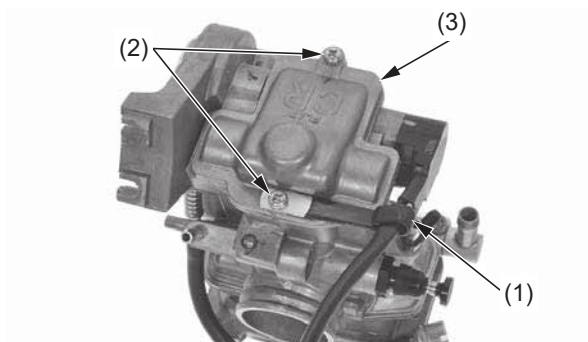


# Carburetor Adjustments & Tuning Tips

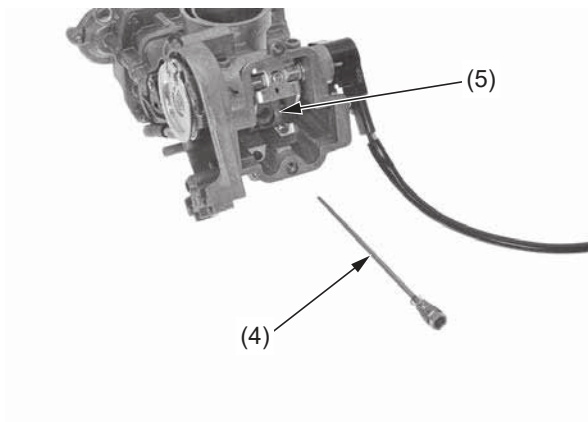
## Carburetor Disassembly/Assembly

1. Pull up the cable clamp (1) and remove the carburetor top screws (2). Then remove the carburetor top (3).



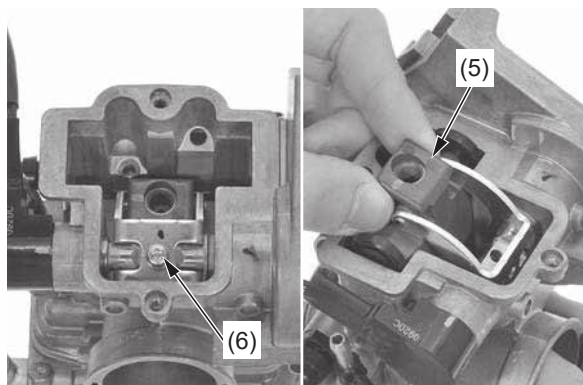
- (1) cable clamp
- (2) carburetor top screws
- (3) carburetor top

2. Remove the jet needle/holder assembly (4) from the throttle valve (5).



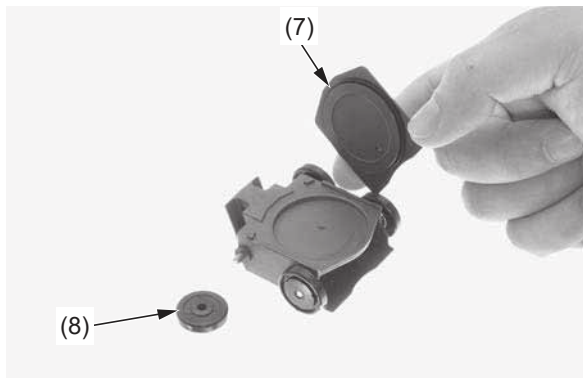
- (4) jet needle/holder assembly
- (5) throttle valve

3. Remove the link arm torx screw (6). When installing the link arm torx screw, apply a locking agent to the link arm torx screw threads.
4. Remove the throttle valve (5).



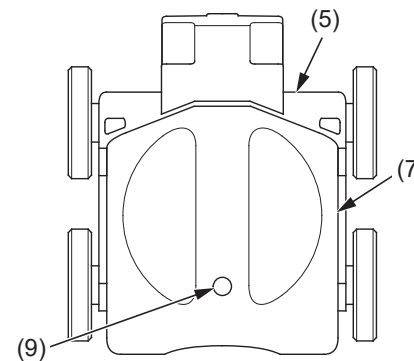
- (5) throttle valve
- (6) link arm torx screw

5. Remove the floating valve (7) and roller (8) from the throttle valve.



- (7) floating valve
- (8) roller

When installing the floating valve (7) onto the throttle valve (5), make sure the floating valve's flat side faces out and the hole (9) faces down.



- (5) throttle valve
- (7) floating valve
- (9) hole