

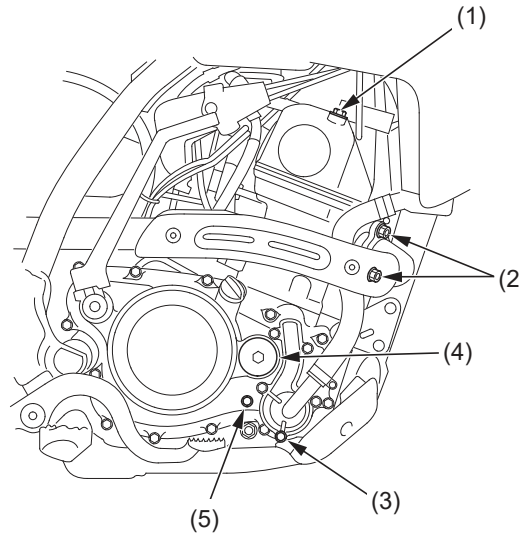
## Nuts, Bolts, Fasteners

Check and tighten nuts, bolts, and fasteners before every outing.

### ENGINE

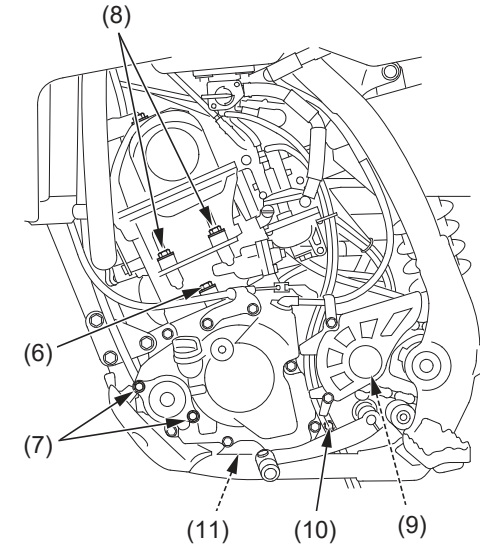
|    | Item                        | Torque |     |       |
|----|-----------------------------|--------|-----|-------|
|    |                             | lbf•ft | N•m | kgf•m |
| 1  | Cylinder head cover bolts   | 7      | 10  | 1.0   |
| 2  | Exhaust pipe joint nuts     | 8      | 11  | 1.1   |
| 3  | Coolant drain bolt          | 7      | 10  | 1.0   |
| 4  | Crankshaft hole cap         | 11     | 15  | 1.5   |
| 5  | Transmission oil check bolt | 7      | 10  | 1.0   |
| 6  | Cylinder bolt               | 7      | 10  | 1.0   |
| 7  | Oil filter cover bolts      | 7      | 10  | 1.0   |
| 8  | Cylinder head bolts         | 7      | 10  | 1.0   |
| 9  | Drive sprocket bolt         | 10     | 13  | 1.3   |
| 10 | Transmission oil drain bolt | 16     | 22  | 2.2   |
| 11 | Engine oil drain bolt       | 16     | 22  | 2.2   |

### RIGHT SIDE



- (1) cylinder head cover bolts
- (2) exhaust pipe joint nuts
- (3) coolant drain bolt
- (4) crankshaft hole cap
- (5) transmission oil check bolt

### LEFT SIDE



- (6) cylinder bolt
- (7) oil filter cover bolts
- (8) cylinder head bolts
- (9) drive sprocket bolt
- (10) transmission oil drain bolt
- (11) engine oil drain bolt