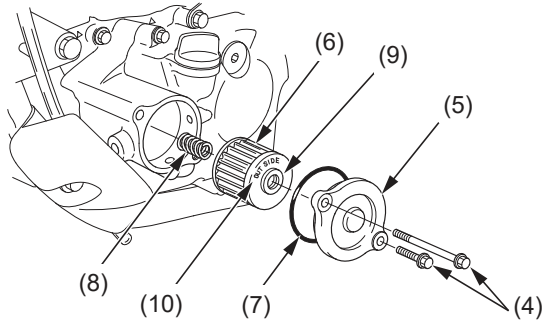


Engine Oil

- It is recommended to replace the oil and filter every 6 races or about every 15.0 hours. However, if you replace only the oil before the recommended interval, see [page 21](#).
- Remove the oil filter cover bolts (4) and oil filter cover (5).
- Remove the oil filter (6) and O-ring (7) from the oil filter cover.



- (4) oil filter cover bolts
- (5) oil filter cover
- (6) oil filter
- (7) oil filter cover O-ring
- (8) spring
- (9) rubber seal
- (10) "OUT-SIDE" mark

NOTICE

Using the wrong oil filter may result in leaks or engine damage.

- Apply grease to the filter side of the spring end, then install the spring (8) into a new oil filter.
- Position the spring against the engine crankcase and install a new oil filter with the rubber seal (9) facing out, away from the engine. You should see the "OUT-SIDE" mark (10) on the filter body, near the seal. Use a new Honda Genuine oil filter or a filter of equal quality specified for your model.

NOTICE

If the oil filter is not installed properly, it will cause serious engine damage.

- Apply engine oil to the new O-ring and install it to the oil filter cover.
- Install the oil filter cover being careful not to damage the O-ring, then tighten the oil filter cover bolts to the specified torque:
7 lbf·ft (10 N·m, 1.0 kgf·m)
- Fill the crankcase with the recommended oil.
Capacity: 0.62 US qt (0.59 ℓ)
after draining and oil filter change
0.59 US qt (0.56 ℓ)
after draining
- Install the engine oil fill cap/dipstick.
- Check the engine oil level by following the steps in *Checking & Adding Oil* ([page 37](#)).

Pour the drained oil into a suitable container and dispose of it in an approved manner ([page 130](#)).

NOTICE

Improper disposal of drained fluids is harmful to the environment.