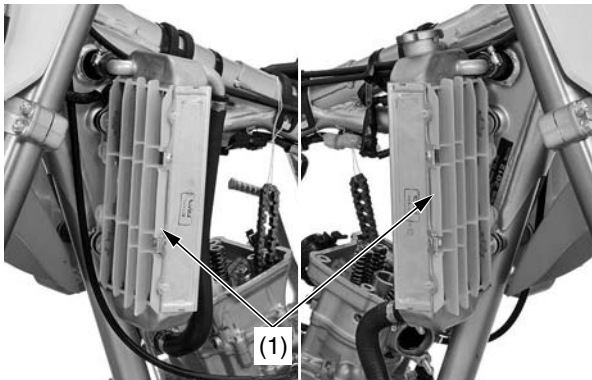


Piston/Piston Rings/Piston Pin

Cylinder Head Removal

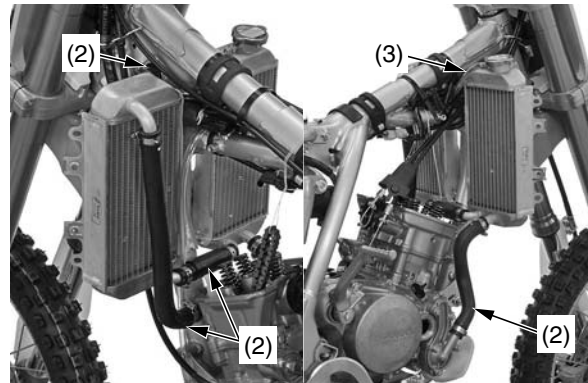
1. Clean the area above the engine before removal to prevent dirt falling into the engine.
2. Drain the radiator coolant after cooling the motorcycle (page 42).
3. Remove the seat and fuel tank (pages 29,30).
4. Remove the carburetor (page 112).
5. Remove the exhaust pipe (page 87).
6. Remove the spark plug (page 52).
7. Remove the cylinder head cover (page 53).
8. Remove the camshaft holder assembly (page 55).
9. Remove the radiator grills (1).



(1) radiator grills

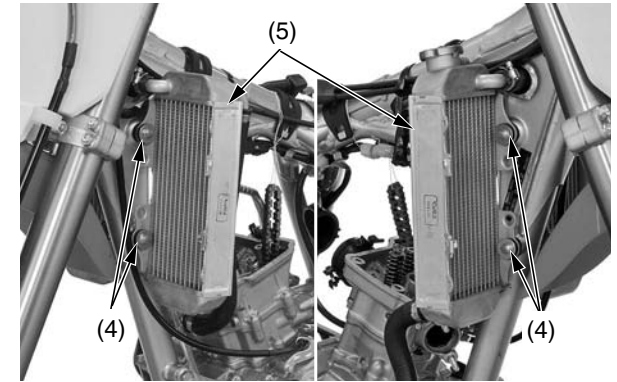
10. Loosen the water hose clamp screws and disconnect the water hoses (2).
11. Disconnect the radiator overflow hose (3).

- Note the direction of the hose clamp.
- Be careful not to damage the radiator core.



(2) water hoses
(3) radiator overflow hose

12. Remove the radiator mounting bolts/washers (4) and radiators (5).



(4) radiator mounting bolts/washers
(5) radiators